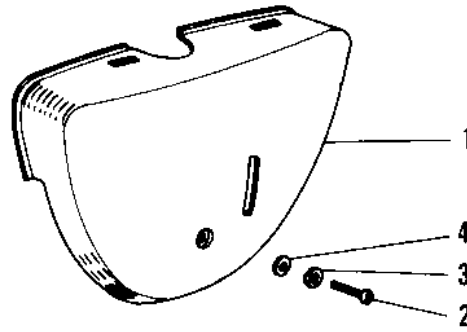


1968 Sidewinder PARTS DIAGRAM

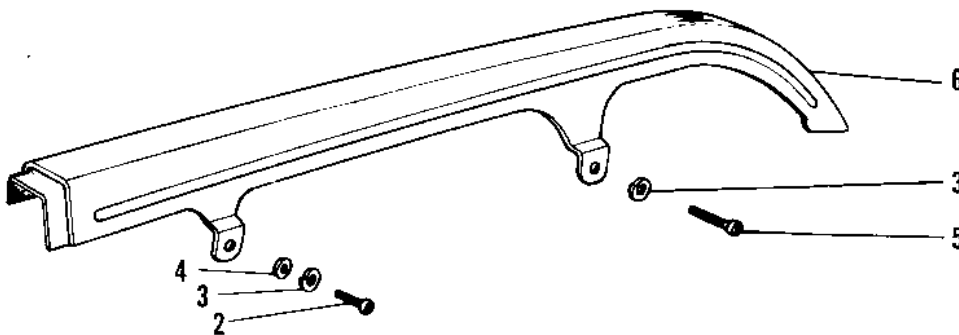
SIDE COVER/CHAIN COVER



F
—



864



1968 Sidewinder PARTS LIST

SIDE COVER/CHAIN COVER

ITEM NAME	PART NUMBER	QUANTITY
COVER,RH SIDE,SILVER (Ref # 1)	36007-020-1W	
SCREW PAN HEAD 6X10 (Ref # 2)	220E0610	
WASHER SPRING 6MM (Ref # 3)	461F0600	
WASHER PLAIN 6MM (Ref # 4)	410B0600	
SCREW PAN HEAD 6X16 (Ref # 5)	220E0616	
CASE-CHAIN (Ref # 6)	36014-026	
EMBLEM SIDE COVER (Ref # 7)	56018-013	