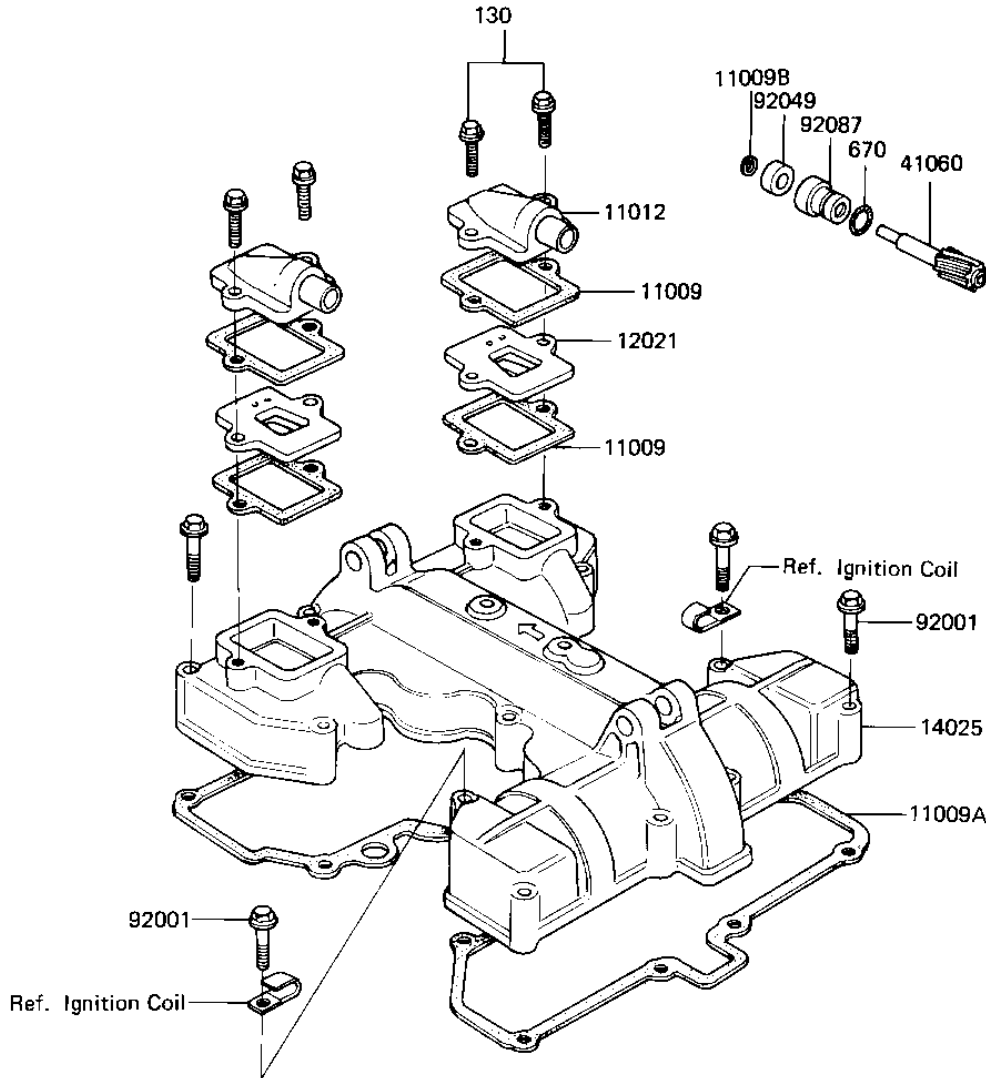


1982 CSR Twin PARTS DIAGRAM

CYLINDER HEAD COVER



E1112-0019



1
1
1
1
1
4
9
9
9

1982 CSR Twin PARTS LIST

CYLINDER HEAD COVER

ITEM NAME	PART NUMBER	QUANTITY
GASKET, REED VALVE (Ref # 11009)	11009-1879	4
GASKET, CYLINDER HEAD (Ref # 11009A)	11009-1247	1
GASKET, TACHOMETER GE (Ref # 11009B)	92065-103	1
CAP, REED VALVE (Ref # 11012)	11012-5003	2
VALVE-ASSY-REED (Ref # 12021)	12021-1011	2
COVER (Ref # 14025)	14025-1333	1
GEAR, TACHOMETER (Ref # 41060)	13223-013	1
BOLT, HEX HEAD, 6X45 (Ref # 92001)	92003-092	14
OIL SEAL (Ref # 92049)	92050-075	1
GUIDE, TACHOMETER GEA (Ref # 92087)	92087-009	1
BOLT, FLANGED, 6X20 (Ref # 130)	130G0620	4
"O"RING 10MM (Ref # 670)	670B1510	1