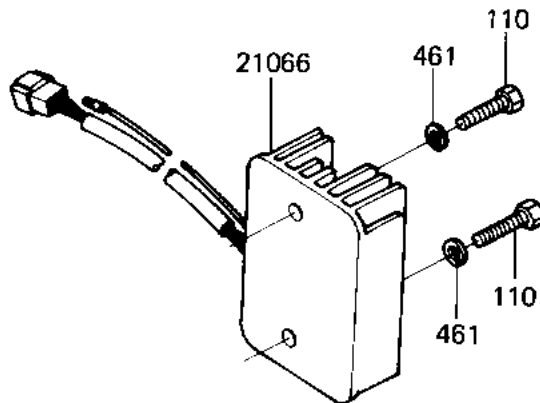
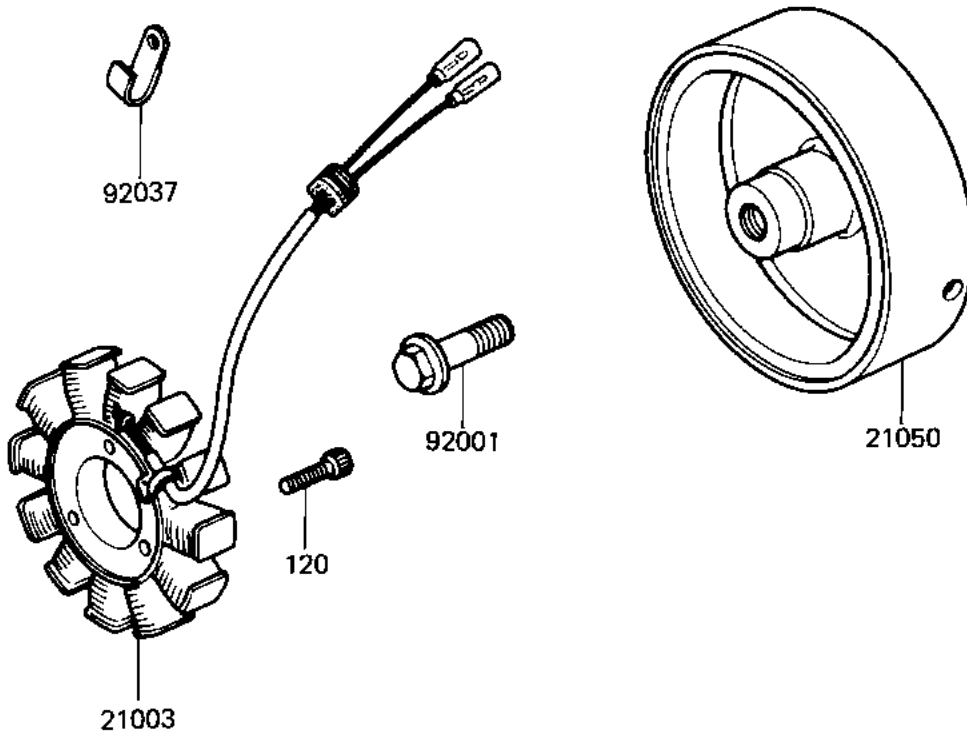


1982 CSR Twin PARTS DIAGRAM

GENERATOR/REGULATOR

E1810-0028



1982 CSR Twin PARTS LIST

GENERATOR/REGULATOR

ITEM NAME	PART NUMBER	QUANTITY
STATOR ASSY (Ref # 21003)	21003-1006	1
FLYWHEEL (Ref # 21050)	21050-1004	1
REGULATOR,VOLTAGE (Ref # 21066)	21066-1014	1
BOLT (Ref # 92001)	92001-1012	1
CLAMP,WIRING HARNESS (Ref # 92037)	21126-008	1
BOLT-UPSET,6X16 (Ref # 110)	112G0616	2
BOLT,ALLEN,6X28 (Ref # 120)	120P0628	3
WASHER SPRING 6MM (Ref # 461)	461F0600	2