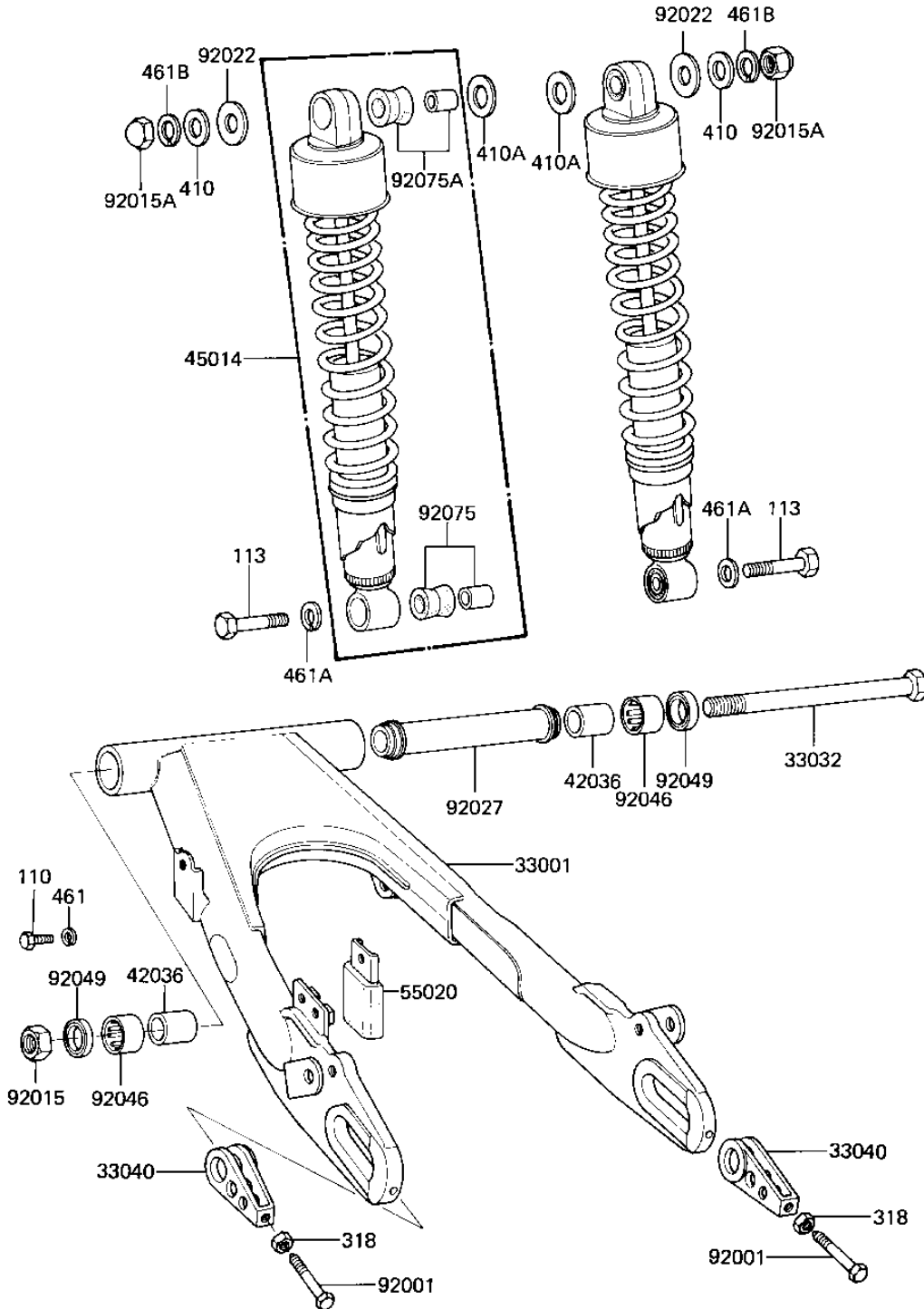


# 1982 CSR Twin PARTS DIAGRAM

SWING ARM/SHOCK ABSORBERS

F2140-0045



# 1982 CSR Twin PARTS LIST

## SWING ARM/SHOCK ABSORBERS

ITEM NAME	PART NUMBER	QUANTITY
ARM-COMP-SWING (Ref # 33001)	33001-1115	1
SHAFT,SWING ARM PIVO (Ref # 33032)	33032-047	1
ADJUSTER,CHAIN (Ref # 33040)	33040-056	2
SLEEVE,SWING ARM (Ref # 42036)	42036-1040	2
SHOCK ABSBR RR (Ref # 45014)	45014-1161	2
GUARD,CHAIN (Ref # 55020)	55020-1152	1
BOLT,8X50 (Ref # 92001)	92001-1399	2
NUT-SELF LOCKING (Ref # 92015)	92019-012	1
NUT 12MM (Ref # 92015A)	92020-014	2
WASHER,12.4X28X2.3 (Ref # 92022)	92022-1239	2
COLLAR (Ref # 92027)	92027-1364	1
BEARING-NEEDLE (Ref # 92046)	92046-1035	2
SEAL-OIL (Ref # 92049)	92049-1060	2
BUSHING,SHOCK ABSORB (Ref # 92075)	45017-019	4
BUSHING,SHOCK ABSORB (Ref # 92075A)	92075-1141	4
BOLT-UPSET,6X12 (Ref # 110)	112G0612	1
BOLT HEX HEAD 10X35 (Ref # 113)	113N1035	2
NUT 8MM (Ref # 318)	318B0800	2
WASHER PLAIN 12MM (Ref # 410)	410B1200	2
WASHER PLAIN 14MM (Ref # 410A)	410B1400	2
WASHER SPRING 6MM (Ref # 461)	461F0600	1
WASHER SPRING 10MM (Ref # 461A)	461F1000	2
WASHER SPRING 12MM (Ref # 461B)	461F1200	2