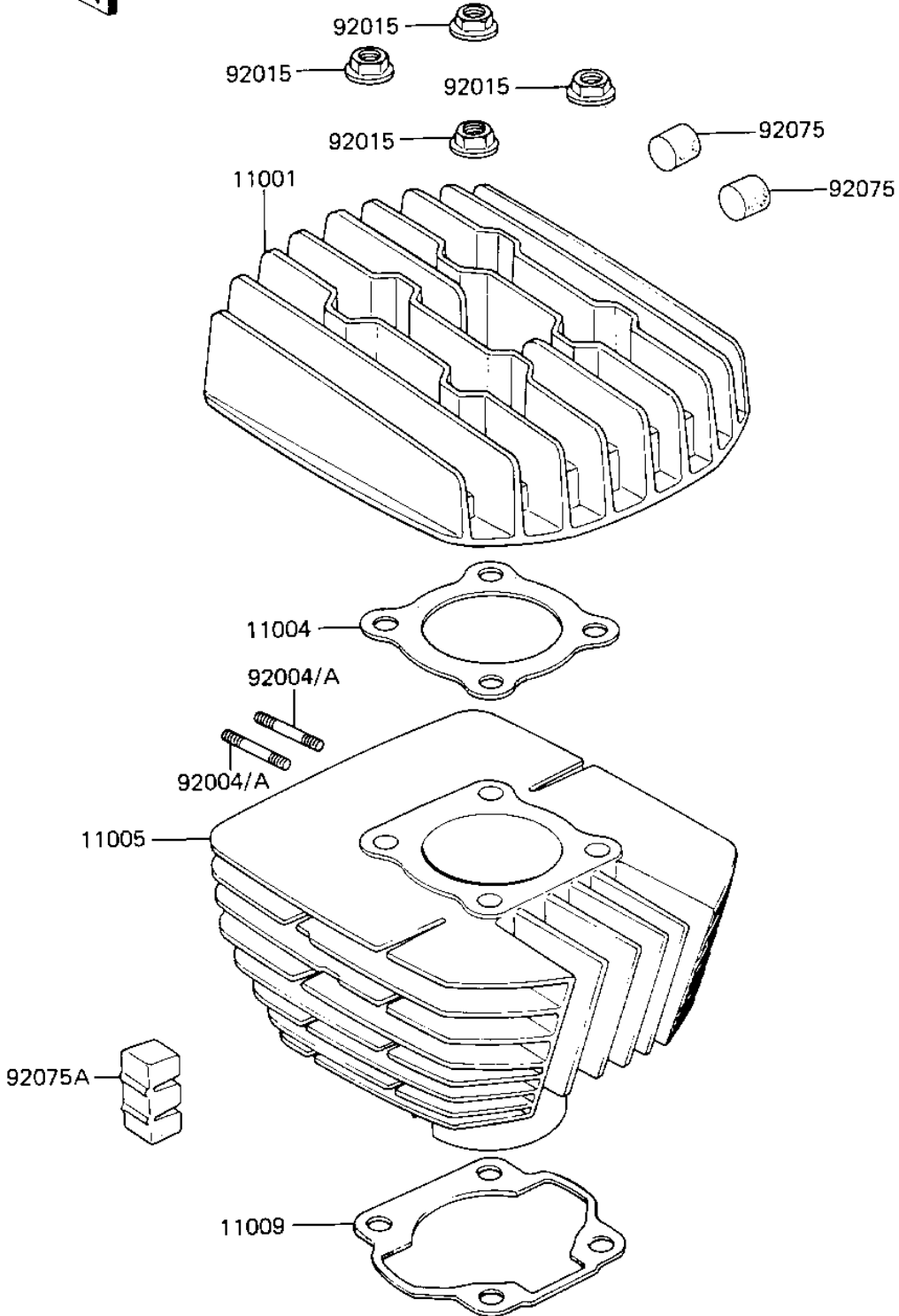


1983 KE100 PARTS DIAGRAM

CYLINDER HEAD/CYLINDER

E1111-0044



1983 KE100 PARTS LIST

CYLINDER HEAD/CYLINDER

ITEM NAME	PART NUMBER	QUANTITY
HEAD-CYLINDER (Ref # 11001)	11001-1018	1
GASKET CYLINDER HEAD (Ref # 11004)	11004-033	1
CYLINDER,ELECTRO-FUSE (Ref # 11005)	11005-1006	1
GASKET,CYLINDER BASE (Ref # 11009)	11060-1200	1
STUD,6X22.5 (Ref # 92004A)	92004-1119	2
NUT-8MM (Ref # 92015)	92015-1022	4
DAMPER RUBBER (Ref # 92075)	92075-075	6
DAMPER RUBBER-CYL-HD (Ref # 92075A)	92075-109	8