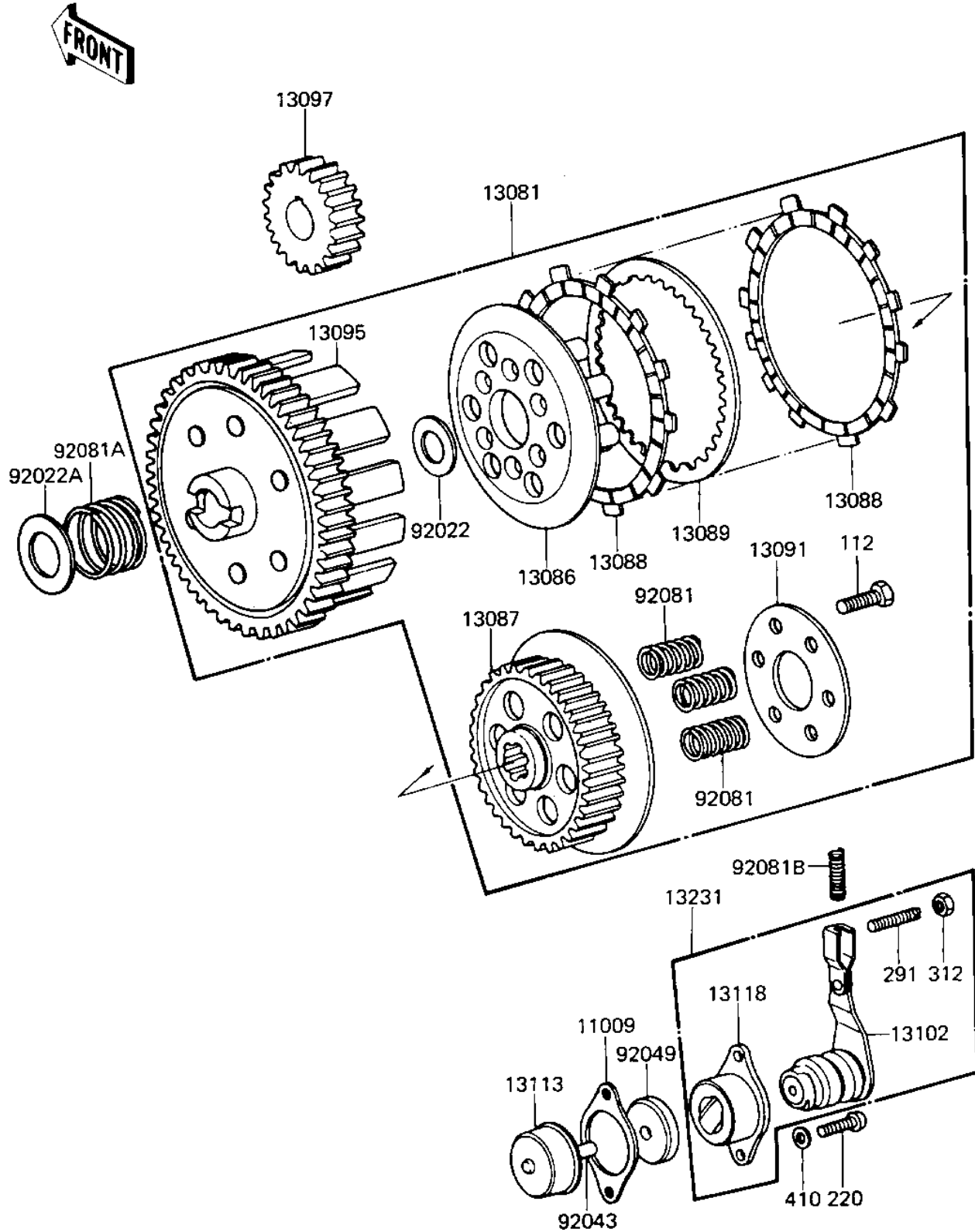


1985 KE100 (Canada Only) PARTS DIAGRAM

CLUTCH

E1350-0007



1985 KE100 (Canada Only) PARTS LIST

CLUTCH

ITEM NAME	PART NUMBER	QUANTITY
GASKET,CLUTCH RELEASE (Ref # 11009)	11060-1197	1
CLUTCH-ASSY (Ref # 13081)	13081-028	1
WHEEL,CLUTCH (Ref # 13086)	13086-1002	1
HUB,CLUTCH (Ref # 13087)	13087-1011	1
PLATE-FRICTION (Ref # 13088)	13088-1103	4
PLATE-CLUTCH,STEEL (Ref # 13089)	13089-1009	3
HOLDER,CLUTCH SPRING (Ref # 13091)	13091-1115	1
HOUSING CLUTCH (Ref # 13095)	13095-022	1
PINION,PRIMARY (Ref # 13097)	13121-032	1
RELEASE-COMP-CLUTCH,I (Ref # 13102)	13102-1016	1
PUSHER CLUTCH SPRING (Ref # 13113)	13113-003	1
RELEASE-CLUTCH OUTER (Ref # 13118)	13118-1001	1
RELEASE-ASSY-CLUTCH (Ref # 13231)	13231-1008	1
WASHER THRUST CLUTCH (Ref # 92022)	92022-054	1
WASHER PLAIN (Ref # 92022A)	92022-057	1
PIN,DOWEL (Ref # 92043)	92042-043	1
OIL SEAL (Ref # 92049)	92050-071	1
SPRING CLUTCH (Ref # 92081)	92081-012	6
SPRING CLUTCH DAMPER (Ref # 92081A)	92081-015	1
SPRING-CLUTCH RELEASE (Ref # 92081B)	92081-096	1
BOLT-UPSET (Ref # 112)	112G0516	6
SCREW PAN HEAD 6X16 (Ref # 220)	220B0616	2
SCREW,SLOTTED,6X16 (Ref # 291)	291H0616	1
NUT 6MM (Ref # 312)	312B0600	1
WASHER PLAIN 6MM (Ref # 410)	410B0600	2