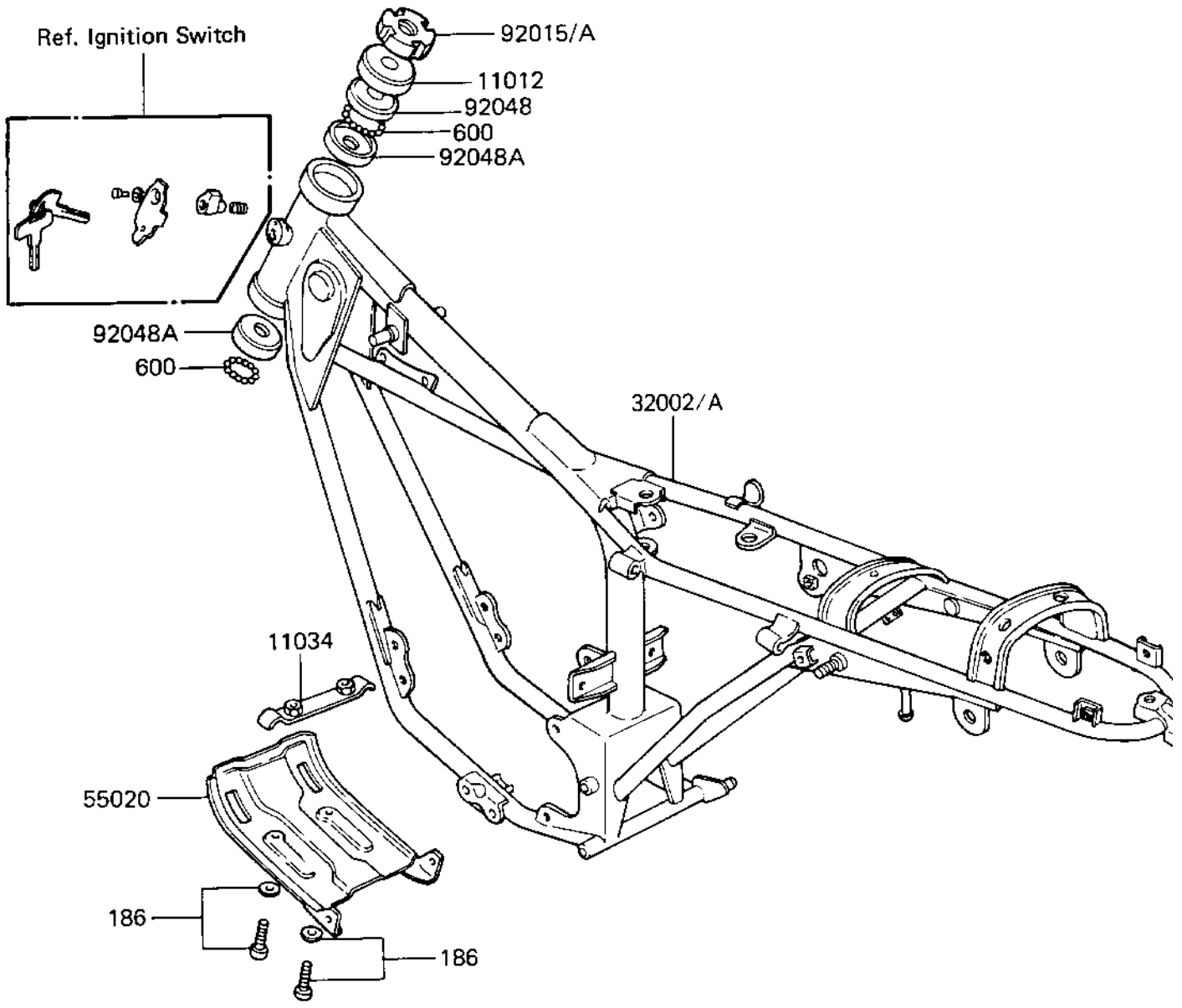


1984 KE100 PARTS DIAGRAM

FRAME

F2120-0073



1984 KE100 PARTS LIST

FRAME

ITEM NAME	PART NUMBER	QUANTITY
CAP STEERING STEM (Ref # 11012)	46098-004	1
BRACKET,ENGINE GUARD (Ref # 11034)	55016-007	1
FRAME-COMP (Ref # 32002)	32002-1302	1
GUARD,ENGINE (Ref # 55020)	55011-018	1
NUT,STEERING STEM LOC (Ref # 92015)	92015-1382	1
CONE UPPER BEARING (Ref # 92048)	92047-005	1
RACE BEARING (Ref # 92048A)	92048-004	2
BOLT (Ref # 186)	186B0614	2
BALL STEEL 3/16' (Ref # 600)	600A0600	46