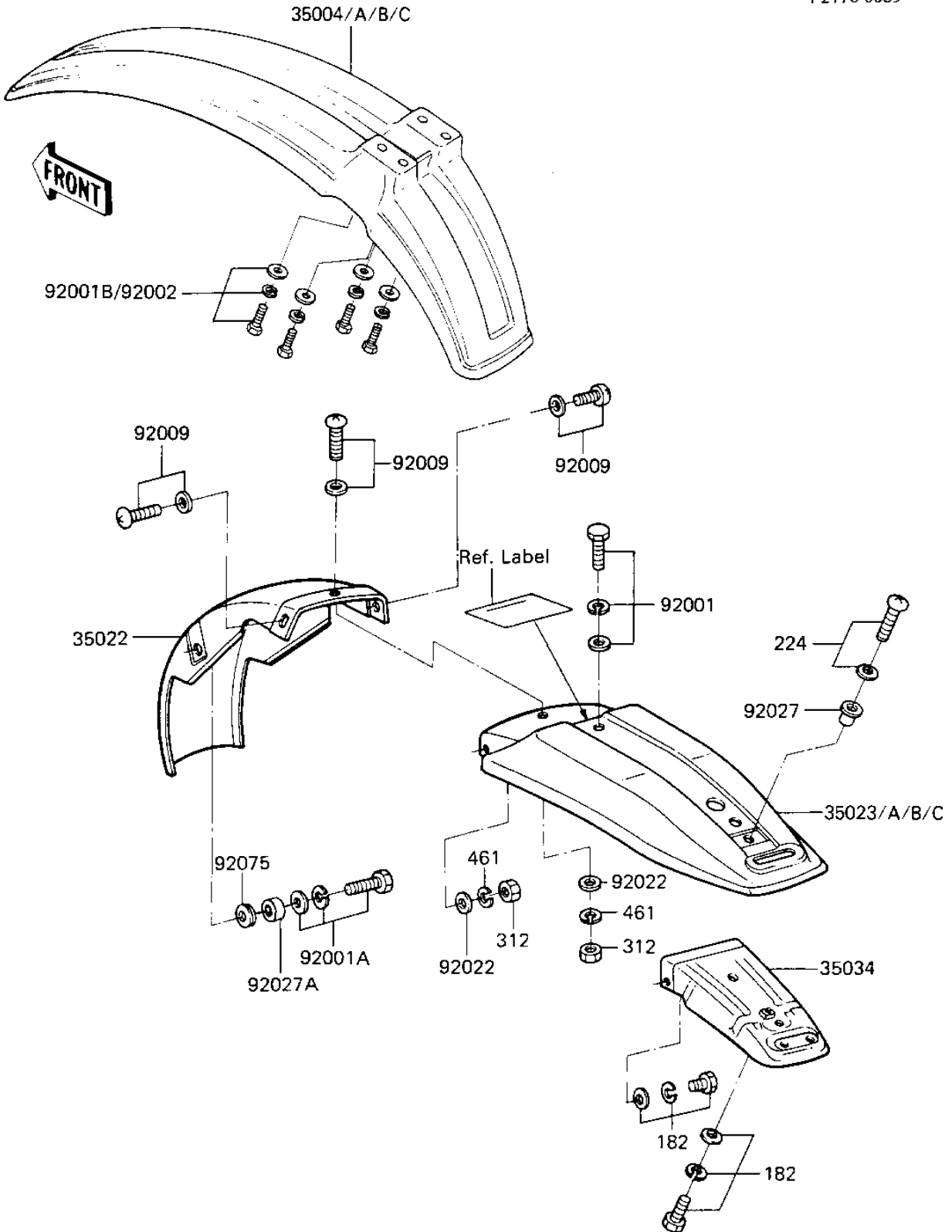


# 1983 KE100 PARTS DIAGRAM

## FENDERS

F2170-0089



# 1983 KE100 PARTS LIST

## FENDERS

ITEM NAME	PART NUMBER	QUANTITY
FENDER-FRONT,EBONY (Ref # 35004A)	35004-1072-6C	1
FENDER-RR (Ref # 35022)	35022-064	1
FENDER-REAR,EBONY (Ref # 35023A)	35023-1039-6C	1
REINFORCE (Ref # 35034)	35034-1075	1
BOLT,6X12 (Ref # 92001)	92001-1761	1
BOLT,W/SP,6X16 (Ref # 92001A)	92001-1763	2
BOLT,6X16 (Ref # 92001B)	92001-1863	4
SCREW,6X14 (Ref # 92009)	92009-1281	3
WASHER 6.5X20X1.6T (Ref # 92022)	92022-125	3
COLLAR,REAR FENDER (Ref # 92027)	92027-1018	1
COLLAR (Ref # 92027A)	92027-103	2
DAMPER RUBBER (Ref # 92075)	92075-105	2
BOLT-UPSET-WSP (Ref # 182)	182B0612	3
SCREW,6X14 (Ref # 224)	92009-1333	1
NUT 6MM (Ref # 312)	312B0600	3
WASHER SPRING 6MM (Ref # 461)	461F0600	3