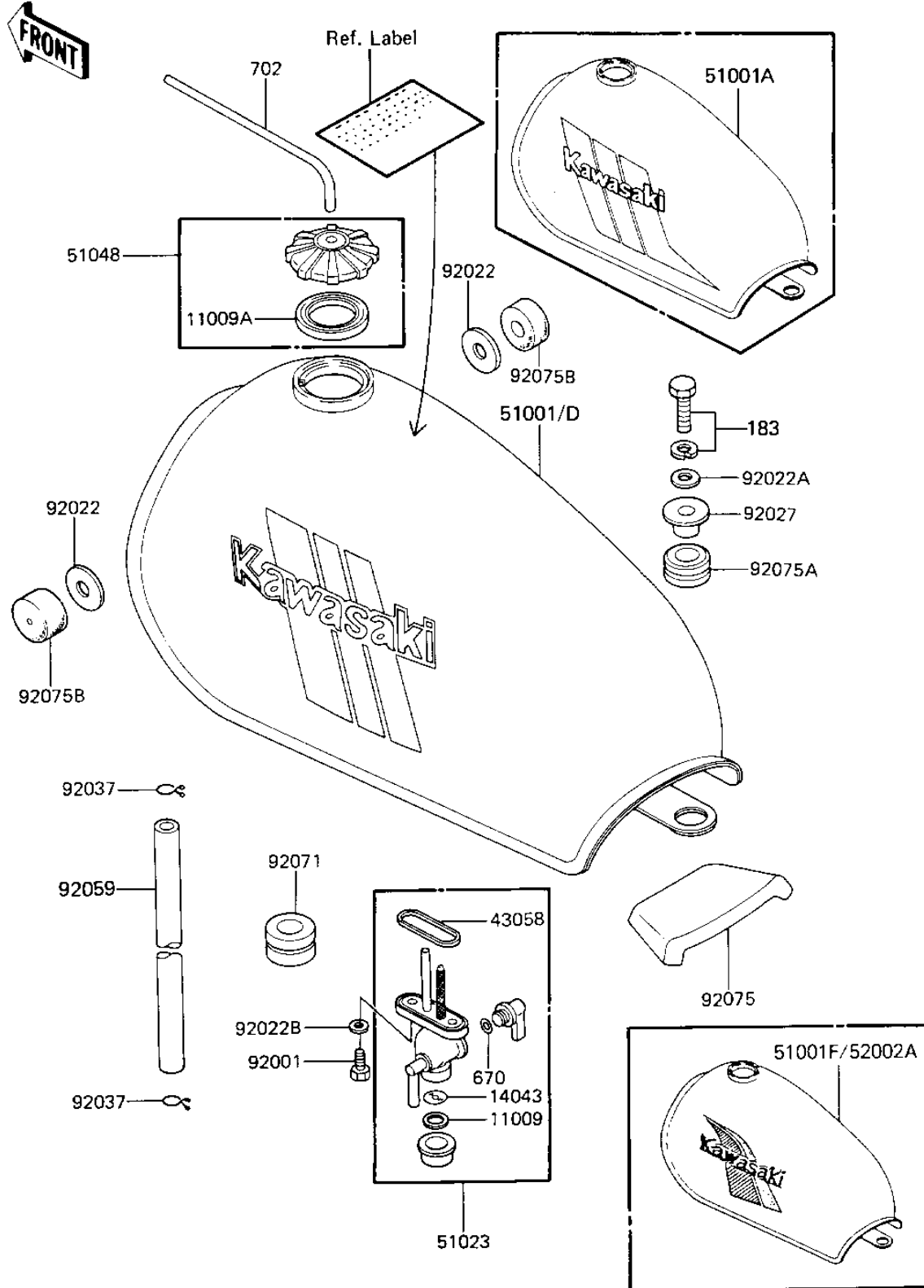


# 1983 KE100 PARTS DIAGRAM

FUEL TANK

F2410-0068



# 1983 KE100 PARTS LIST

## FUEL TANK

ITEM NAME	PART NUMBER	QUANTITY
GASKET,FUEL TAP CUP (Ref # 11009)	11009-1013	1
GASKET,FUEL TANK CAP (Ref # 11009A)	51059-006	1
STRINER,FUEL TAP (Ref # 14043)	14043-1002	1
"O" RING (Ref # 43058)	51039-003	1
TANK-COMP-FUEL,EBONY (Ref # 51001A)	51001-5190-H8	1
TAP ASSY,FUEL (Ref # 51023)	51023-1020	1
CAP ASSY,TANK,FUEL (Ref # 51048)	51048-1004	1
BOLT,6X20,FUEL TAP (Ref # 92001)	92001-1091	2
WASHER-PL-10.5X26X2.3 (Ref # 92022)	92022-044	2
92022-101 (Canada) (Ref # 92022A)	92022-092	1
WASHER-PLAIN (Ref # 92022B)	92022-183	2
COLLAR,FR SIG LIGHT (Ref # 92027)	92027-223	1
CLAMP FUEL PIPE (Ref # 92037)	92037-010	2
GROMMET PIPE (Ref # 92059)	92071-038	1
GROMMET PIPE (Ref # 92071)	92071-038	1
DAMPER RUBBER-FL TANK (Ref # 92075)	92075-106	1
DAMPER RUBBER,MUFFLER (Ref # 92075A)	92075-1086	1
DAMPER RUBBER,FL TANK (Ref # 92075B)	92075-125	2
BOLT-UPSET-WS-SMALL (Ref # 183)	183B0835	1
"O" RING, 10MM (Ref # 670)	670B2010	1
TUBE,5X1430 (Ref # 702)	702A051430	1