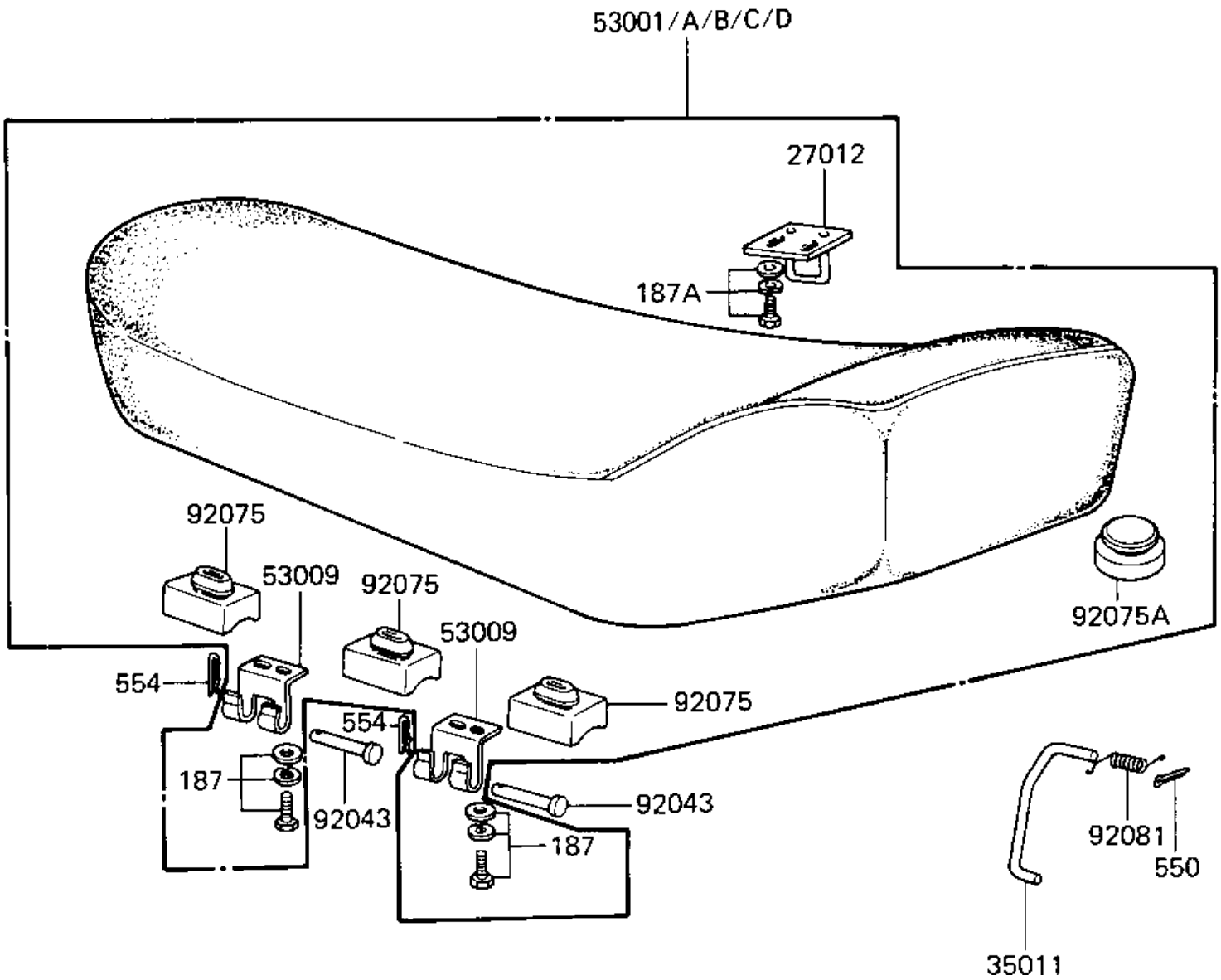


1983 KE100 PARTS DIAGRAM

SEAT

F2510-0076



1983 KE100 PARTS LIST

SEAT

ITEM NAME	PART NUMBER	QUANTITY
HOOK, SEAT (Ref # 27012)	53008-021	1
STAND,SEAT (Ref # 35011)	53054-003	1
SEAT-ASSY,DUAL (Ref # 53001A)	53001-1372	1
HINGE,BLACK (Ref # 53009)	53009-017-10	2
PIN (Ref # 92043)	53011-002	2
DAMPER RUBB DUAL SEAT (Ref # 92075)	92075-023	4
DAMPER RUBBER,SEAT (Ref # 92075A)	92075-216	2
SPRING,SEAT HOOK (Ref # 92081)	53055-001	1
BOLT 6X12 (Ref # 187)	187B0612	4
BOLT 6X14 (Ref # 187A)	187B0614	2
PIN COTTER 2.0X15 (Ref # 550)	550D2015	1
PIN,SNAP (Ref # 554)	554A0600	2