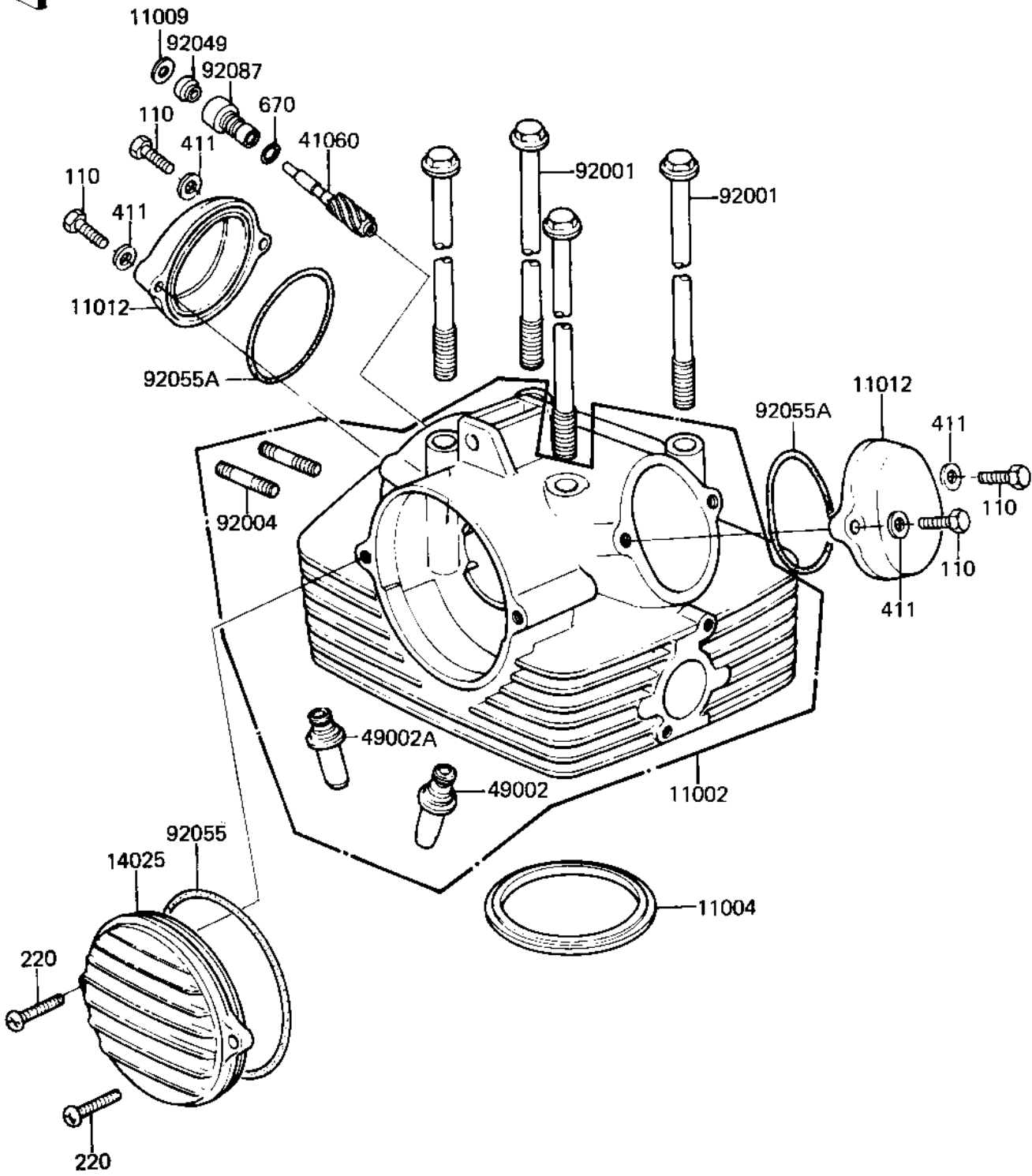


1982 CSR Belt PARTS DIAGRAM

CYLINDER HEAD/COVERS

E1110-0003



1982 CSR Belt PARTS LIST

CYLINDER HEAD/COVERS

ITEM NAME	PART NUMBER	QUANTITY
HEAD-ASSY-CYLINDER (Ref # 11002)	11002-5025	1
GASKET,CYLINDER HEAD (Ref # 11004)	11004-1002	1
GASKET,TACHO GEAR (Ref # 11009)	92065-104	1
CAP,ROCKER ARM (Ref # 11012)	11027-004-2H	2
COVER,CAM (Ref # 14025)	14025-1276	1
GEAR,TACHOMETER (Ref # 41060)	13223-012	1
GUIDE,INLET VALVE (Ref # 49002)	12013-003	1
GUIDE,EXHAUST VALVE (Ref # 49002A)	49002-1010	1
BOLT,8X233 (Ref # 92001)	92003-220	4
STUD,8X30 (Ref # 92004)	92004-1069	2
OIL SEAL (Ref # 92049)	92050-075	1
"O" RING,99M/M (Ref # 92055)	92055-107	1
"O" RING,53.5MM (Ref # 92055A)	92055-112	2
GUIDE,TACHOMETER GEAR (Ref # 92087)	92087-011	1
BOLT-UPSET (Ref # 110)	112G0625	4
SCREW PAN HEAD 6X25 (Ref # 220)	220B0625	2
WASHER PLAIN 6MM (Ref # 411)	411B0600	4
"O" RING,10MM (Ref # 670)	670D1510	1