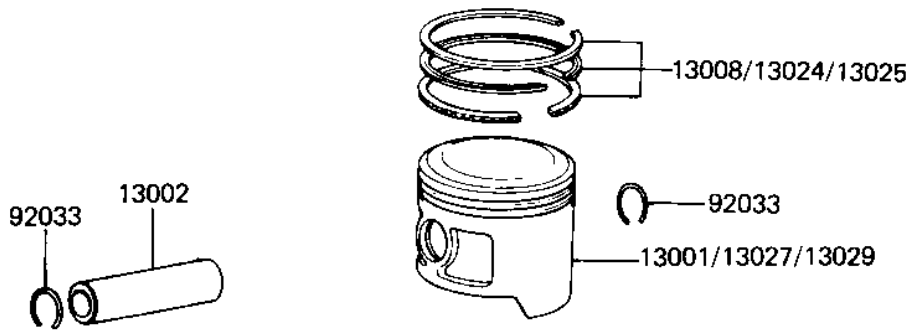


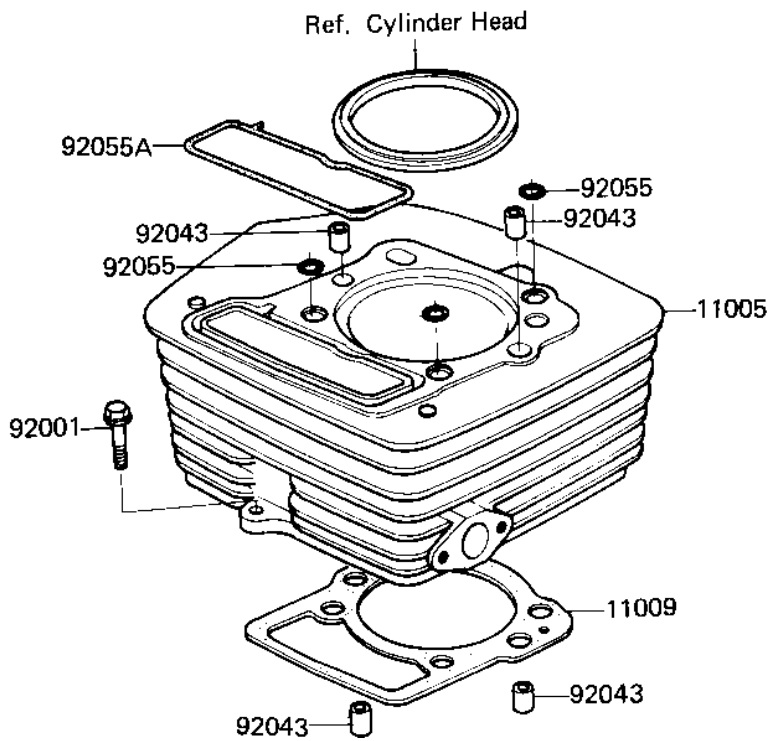
1982 CSR Belt PARTS DIAGRAM

CYLINDER/PISTON

E1120-0004



- 11005 1
- 11009 1
- 13001 1
- 13002 1
- 13008 1
- 13024
- 13025
- 13027
- 13029
- 92001
- 92033
- 92043
- 92055
- 92055A



1982 CSR Belt PARTS LIST

CYLINDER/PISTON

ITEM NAME	PART NUMBER	QUANTITY
CYLINDER-ENGINE (Ref # 11005)	11005-1174	1
GASKET,CYLINDER BASE (Ref # 11009)	11009-043	1
PISTON,S.T.D (Ref # 13001)	13001-1037	1
PIN-PISTON (Ref # 13002)	13002-1013	1
RING SET,STD (Ref # 13008)	13008-5012	1
RING SET,0.040"O/S (Ref # 13024)	13024-5008	1
RING SET,0.020"O/S (Ref # 13025)	13025-5007	1
PISTON,0.040 O/S (Ref # 13027)	13027-1005	1
PISTON,0.020 O/S (Ref # 13029)	13029-1003	1
BOLT (Ref # 92001)	92003-202	1
CIRCLIP,PISTON PIN (Ref # 92033)	92036-021	2
PIN,DOWEL,10X8.2X14 (Ref # 92043)	92043-1037	4
RING-O,10MM (Ref # 92055)	92055-1149	3
"O" RING (Ref # 92055A)	92055-105	1