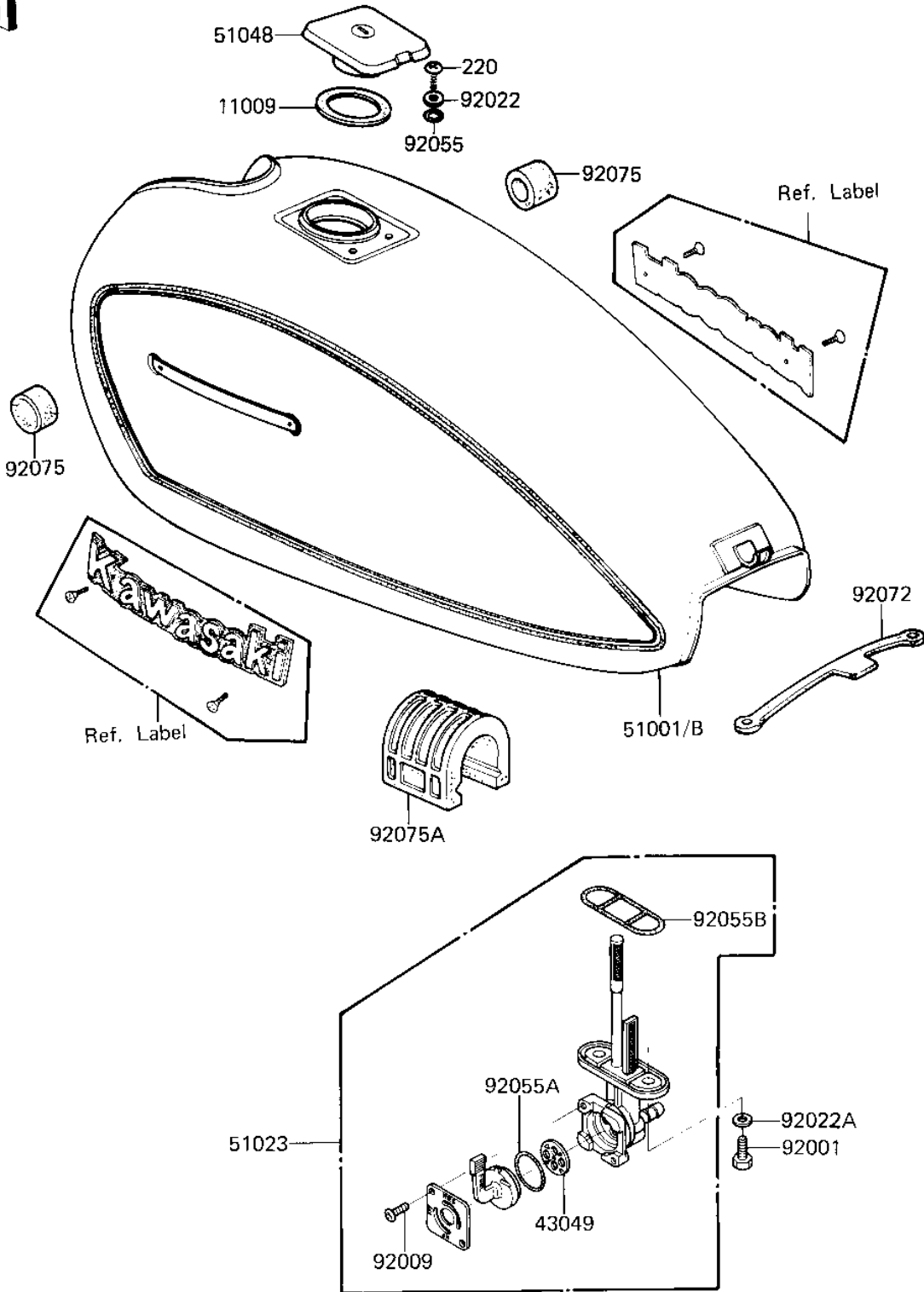


# 1982 CSR Belt PARTS DIAGRAM

FUEL TANK

F2410-0067



# 1982 CSR Belt PARTS LIST

## FUEL TANK

| ITEM NAME                            | PART NUMBER   | QUANTITY |
|--------------------------------------|---------------|----------|
| GASKET,FUEL TANK CAP (Ref # 11009)   | 11009-1051    | 1        |
| PACKING,FUEL TAP VALV (Ref # 43049)  | 43049-1017    | 1        |
| TANK-FUEL,L.M.RED (Ref # 51001)      | 51001-1039-E2 | 1        |
| TANK-FUEL,EBONY (Ref # 51001B)       | 51001-5114-8G | 1        |
| TAP-ASSY,FUEL (Ref # 51023)          | 51023-1038    | 1        |
| CAP ASSY TANK (Ref # 51048)          | 51048-1018    | 1        |
| BOLT,6X20,FUEL TAP (Ref # 92001)     | 92001-1091    | 2        |
| SCREW PAN HEAD 3X5 (Ref # 92009)     | 220B0305A     | 2        |
| WASHER,PLAIN (Ref # 92022)           | 92022-1038    | 2        |
| WASHER-PLAIN (Ref # 92022A)          | 92022-183     | 2        |
| "O" RING (Ref # 92055)               | 92055-1023    | 2        |
| "O" RING,FUEL TAP LEV (Ref # 92055A) | 92055-1111    | 1        |
| "O" RING,FUEL TANK (Ref # 92055B)    | 92055-1112    | 1        |
| BAND,FUEL TANK (Ref # 92072)         | 92072-042     | 1        |
| DAMPER RUBBER-FL TANK (Ref # 92075)  | 92075-101     | 2        |
| DAMPER RUBBER,FL TNK (Ref # 92075A)  | 92075-215     | 1        |
| SCREW PAN HEAD 5X10 (Ref # 220)      | 220B0510      | 2        |