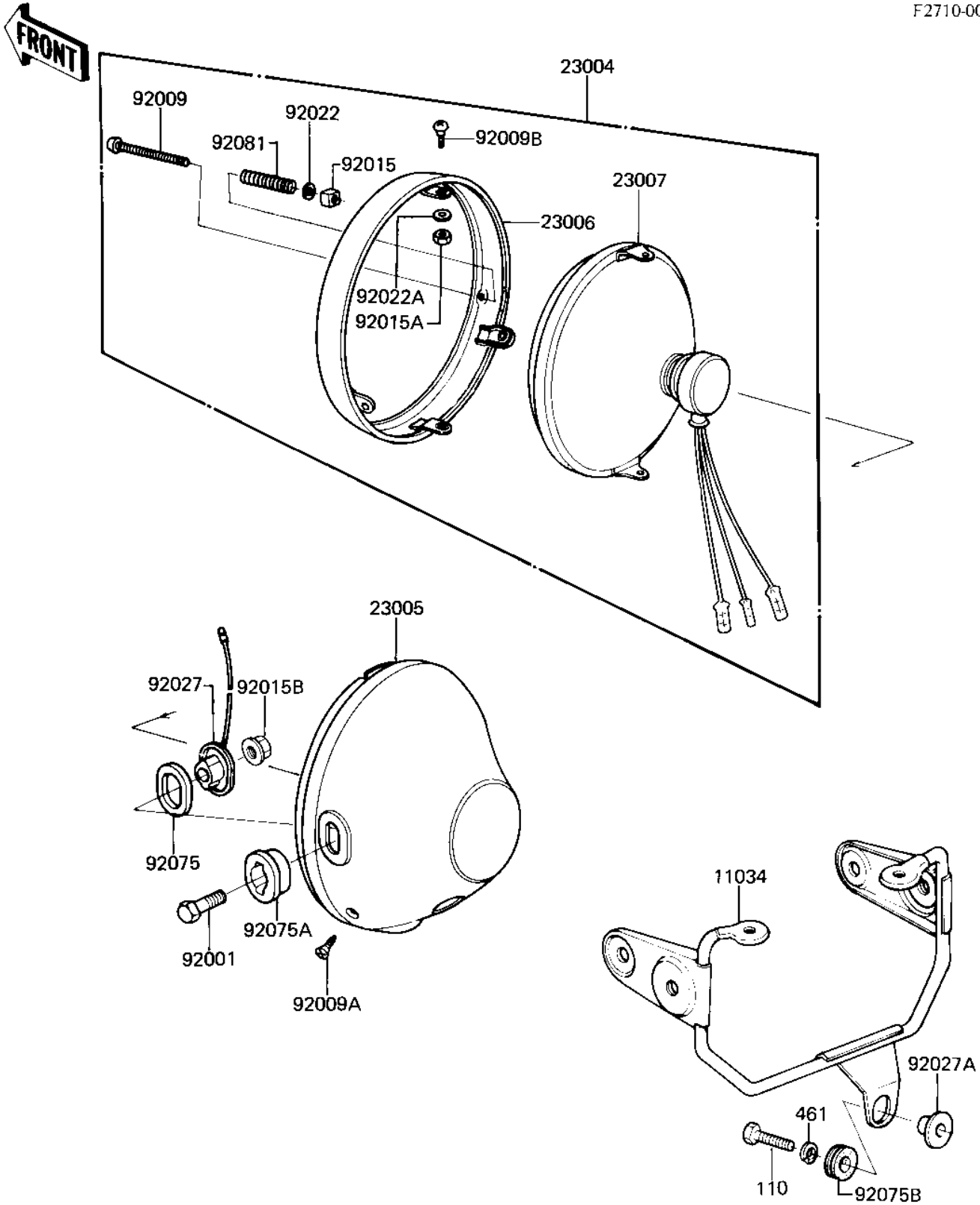


1982 CSR Belt PARTS DIAGRAM

HEADLIGHT

F2710-0080



1982 CSR Belt PARTS LIST

HEADLIGHT

ITEM NAME	PART NUMBER	QUANTITY
BRACKET,HEAD LAMP (Ref # 11034)	11034-1691	1
LAMP UNIT,HEAD (Ref # 23004)	23003-025	1
BODY,HEAD LAMP BLACK (Ref # 23005)	23005-1013	1
RIM-HEAD LAMP (Ref # 23006)	23006-034	1
SEALED BEAM UNIT (Ref # 23007)	23007-043	1
BOLT,HEX HEAD,10X30 (Ref # 92001)	92007-041	2
SCREW FORCUS ADJUST (Ref # 92009)	23019-021	1
SCREW,PAN HEAD,5X14 (Ref # 92009A)	23019-022	2
SCREW-PAN HEAD,5X12 (Ref # 92009B)	23019-023	2
NUT,4MM (Ref # 92015)	23020-018	1
NUT,HEAD LAMP RIM FIT (Ref # 92015A)	23020-023	2
NUT,FLANGED,10MM (Ref # 92015B)	92015-1428	2
WASHER (Ref # 92022)	23021-004	1
WASHER-PLAIN,5MM (Ref # 92022A)	23021-012	2
COLLAR (Ref # 92027)	23076-005	2
COLLAR (Ref # 92027A)	92027-251	1
DAMPER RUBBER A (Ref # 92075)	23066-001	2
DAMPER RUBBER (Ref # 92075A)	23066-005	2
DAMPER RUBBER,RR FENR (Ref # 92075B)	92075-209	1
SPRING FOCUS ADJUST (Ref # 92081)	23014-005	1
BOLT-UPSET (Ref # 110)	112G0625	1
WASHER SPRING 6MM (Ref # 461)	461F0600	1