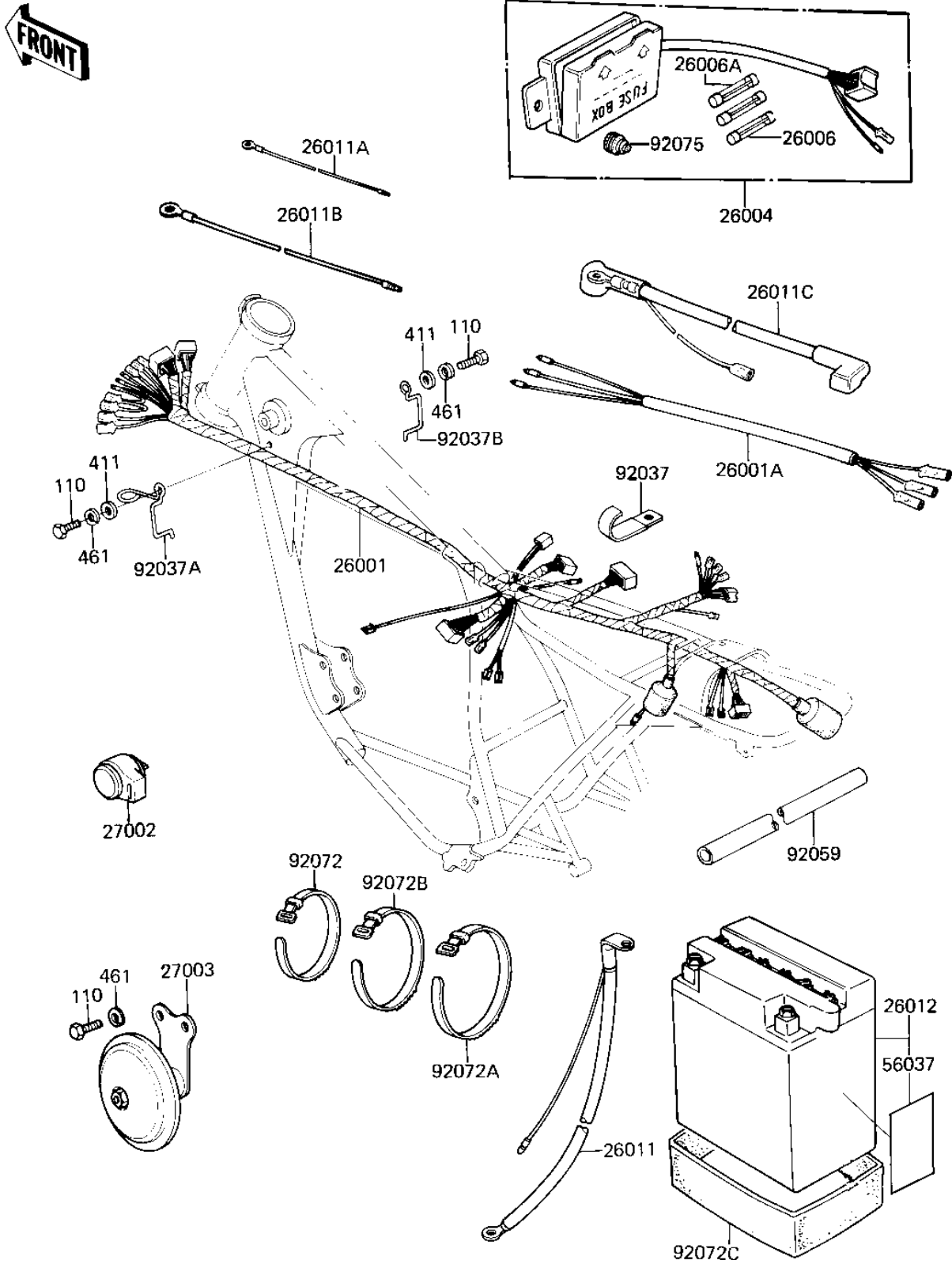


1982 CSR Belt PARTS DIAGRAM

CHASSIS ELECTRICAL EQUIPMENT

F2760-0005



1982 CSR Belt PARTS LIST

CHASSIS ELECTRICAL EQUIPMENT

ITEM NAME	PART NUMBER	QUANTITY
HARNESS,MAIN (Ref # 26001)	26001-1385	1
WIRING HARNESS,REAR (Ref # 26001A)	26002-041	1
FUSE ASSY (Ref # 26004)	26004-035	1
FUSE 10A (Ref # 26006)	26006-003	3
FUSE-20A (Ref # 26006A)	26006-005	2
WIRE,BATTERY GROUND (Ref # 26011)	26010-052	1
LEAD WIRE,SIGNAL LAMP (Ref # 26011A)	26011-063	1
WIRE,LEAD (Ref # 26011B)	26011-095	2
WIRE,MAGNETIC SWITCH (Ref # 26011C)	26011-1035	1
YUA BAT 12N10-3A-2 (Ref # 26012)	26012-1035	1
RELAY-TURN SIGNAL (Ref # 27002)	27002-011	1
HORN (Ref # 27003)	27003-1348	1
LABEL-WARNING,BATTERY (Ref # 56037)	56040-1036	1
CLAMP,HARNESS (Ref # 92037)	92037-113	2
CLAMP (Ref # 92037A)	92037-202	1
CLAMP (Ref # 92037B)	92037-203	1
TUBE,P.V.C,8X9X200 (Ref # 92059)	92059-1150	2
BAND,SHORT (Ref # 92072)	92072-030	6
BAND,LONG (Ref # 92072A)	92072-032	1
BAND,WIRING HARNESS (Ref # 92072B)	92072-056	1
BAND,BATTERY (Ref # 92072C)	92072-1020	1
DAMPER RUBBER,FUSE (Ref # 92075)	92075-279	1
BOLT-UPSET,6X12 (Ref # 110)	112G0612	4
WASHER PLAIN 6MM (Ref # 411)	411B0600	2
WASHER SPRING 6MM (Ref # 461)	461F0600	4