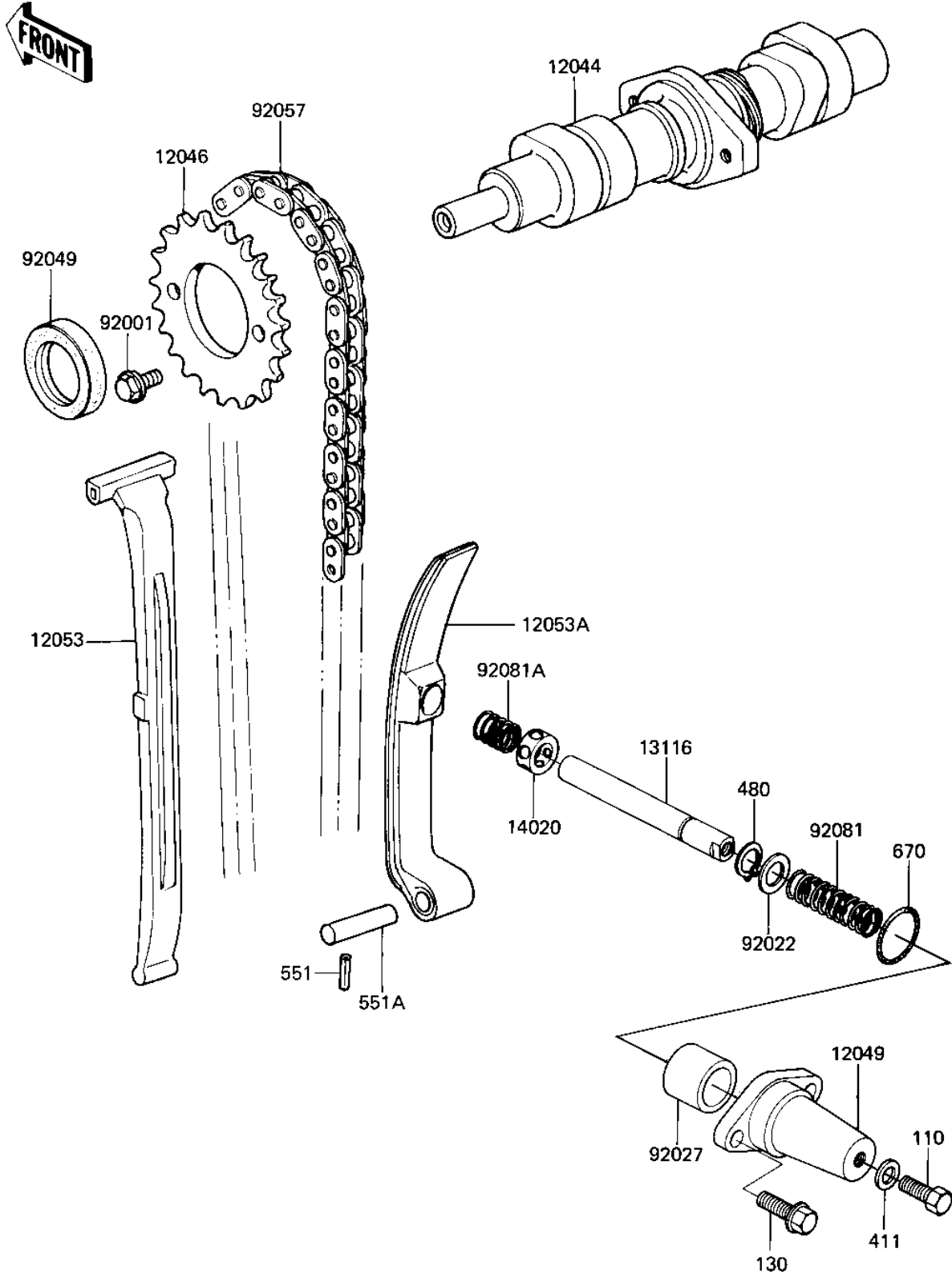


1982 CSR Belt PARTS DIAGRAM

CAMSHAFT/CHAIN/TENSIONER

E1230-0012



1982 CSR Belt PARTS LIST

CAMSHAFT/CHAIN/TENSIONER

ITEM NAME	PART NUMBER	QUANTITY
CAMSHAFT-VALVE (Ref # 12044)	12044-1002	1
SPROCKET,CAM,30T (Ref # 12046)	12046-1008	1
BRACKET,TENSIONER (Ref # 12049)	12049-1010	1
GUIDE-CHAIN,CAM,FR (Ref # 12053)	12053-1020	1
GUIDE-CHAIN,CAM,RR (Ref # 12053A)	12053-1050	1
ROD,PUSH,TENSIONER (Ref # 13116)	13116-1022	1
RETAINER (Ref # 14020)	14020-1002	1
BOLT,SPROCKET FITTING (Ref # 92001)	92003-208	2
WASHER,10X14.5X1.0 (Ref # 92022)	92022-1181	1
COLLAR,TENSIONER (Ref # 92027)	92027-1240	1
OIL SEAL,R.H CRNKSFT (Ref # 92049)	92050-065	1
CHAIN,CAM,BF05MX82L (Ref # 92057)	92057-1015	1
SPRING,TENSIONER (Ref # 92081)	92081-1206	1
SPRING,TENSIONER (Ref # 92081A)	92081-1207	1
BOLT-UPSET 6X14 (Ref # 110)	112B0614	1
BOLT,FLANGED,6X20 (Ref # 130)	130G0620	2
WASHER PLAIN 6MM (Ref # 411)	411B0600	1
CIRCLIP,10M/M (Ref # 480)	480J1000	1
PIN-DOWEL,3X16 (Ref # 551)	551A0316	1
PIN-DOWEL,8X40 (Ref # 551A)	551A0840	1
"O" RING,21MM (Ref # 670)	670B2021	1