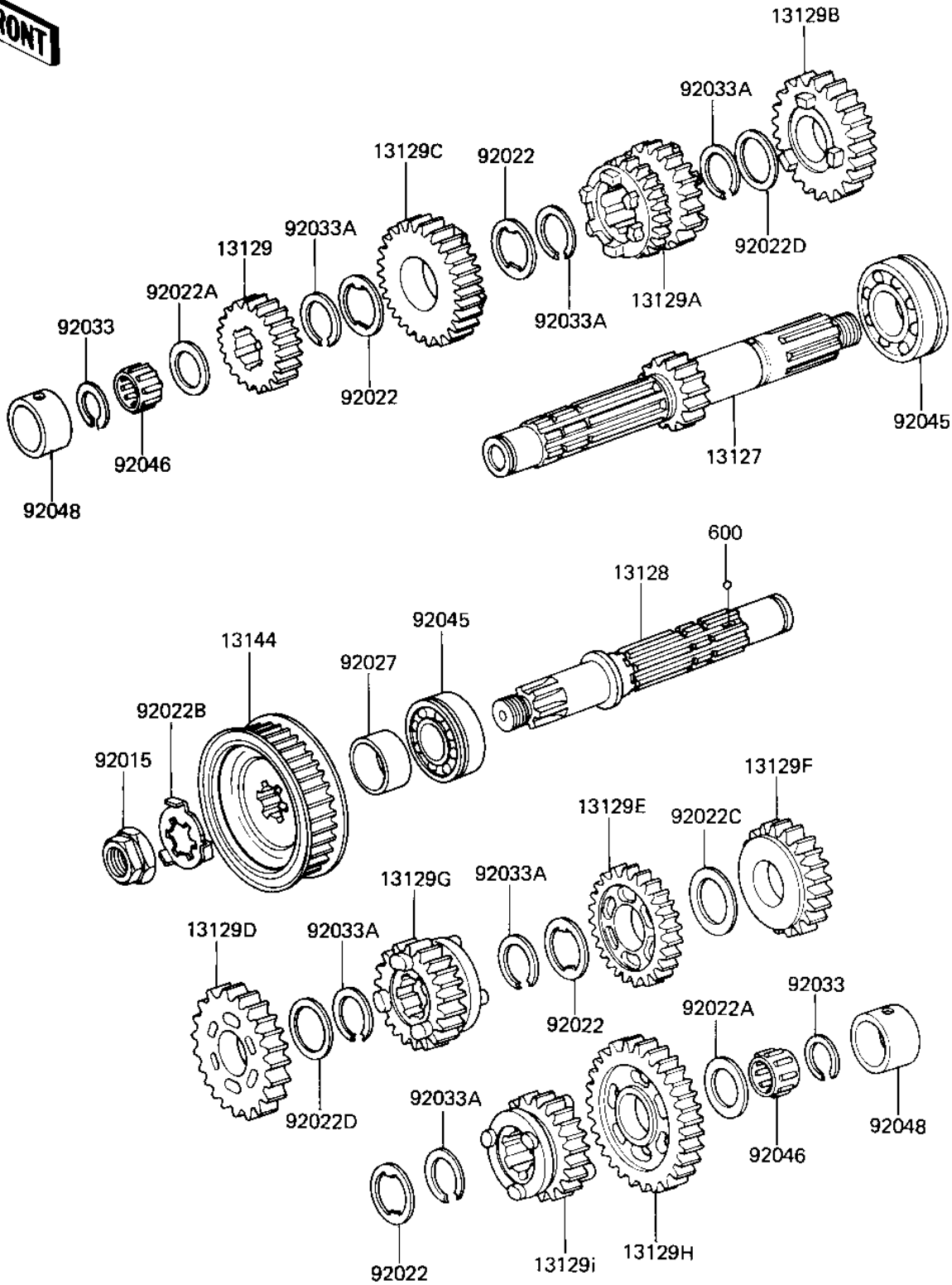


1982 CSR Belt PARTS DIAGRAM

TRANSMISSION

E1361-0046



1982 CSR Belt PARTS LIST

TRANSMISSION

ITEM NAME	PART NUMBER	QUANTITY
SHAFT,DRIVE,15T (Ref # 13127)	13127-1009	1
SHAFT-TRANSMISSION OU (Ref # 13128)	13128-1036	1
2ND GEAR,DRIVE,19T (Ref # 13129)	13129-1086	1
GEAR,INPUT 3RD&4TH,22 (Ref # 13129A)	13260-1098	1
5TH GEAR,DRIVE,27T (Ref # 13129B)	13129-1088	1
TOP GEAR,DRIVE,28T (Ref # 13129C)	13129-1089	1
2ND GEAR, OUTPUT,34T (Ref # 13129D)	13129-1091	1
3RD GEAR,OUTPUT,31T (Ref # 13129E)	13129-1092	1
4TH GEAR,OUTPUT,29T (Ref # 13129F)	13129-1093	1
GEAR,OUTPUT TOP,25T (Ref # 13129G)	13260-1099	1
LOW GEAR,OUTPUT,39T (Ref # 13129H)	13129-1254	1
GEAR,OUTPUT 5TH,27T (Ref # 13129I)	13260-1112	1
SPROCKET-OUTPUT,23T (Ref # 13144)	13144-1052	1
NUT,20MM (Ref # 92015)	92015-1254	1
WASHER,LOCK,30X1.0T (Ref # 92022)	92022-1072	4
WASHER THRUST (Ref # 92022A)	92022-112	2
WASHER,CLAW (Ref # 92022B)	92022-1307	1
WASHER TH 25.5X38X1T (Ref # 92022C)	92022-145	1
WASHER-PLAIN 25MM (Ref # 92022D)	92022-159	2
COLLAR,ENGINE SPROCKE (Ref # 92027)	92027-1302	1
CIRCLIP (Ref # 92033)	92033-015	2
CIRCLIP (Ref # 92033A)	92033-026	6
BEARING-BALL,#6205NX3 (Ref # 92045)	92045-1013	2
BRG,N,20R25139 (Ref # 92046)	92046-044	2
RACE,NEEDLE BEARING (Ref # 92048)	92048-1003	2
BALL STEEL 5/32' (Ref # 600)	600A0500	3