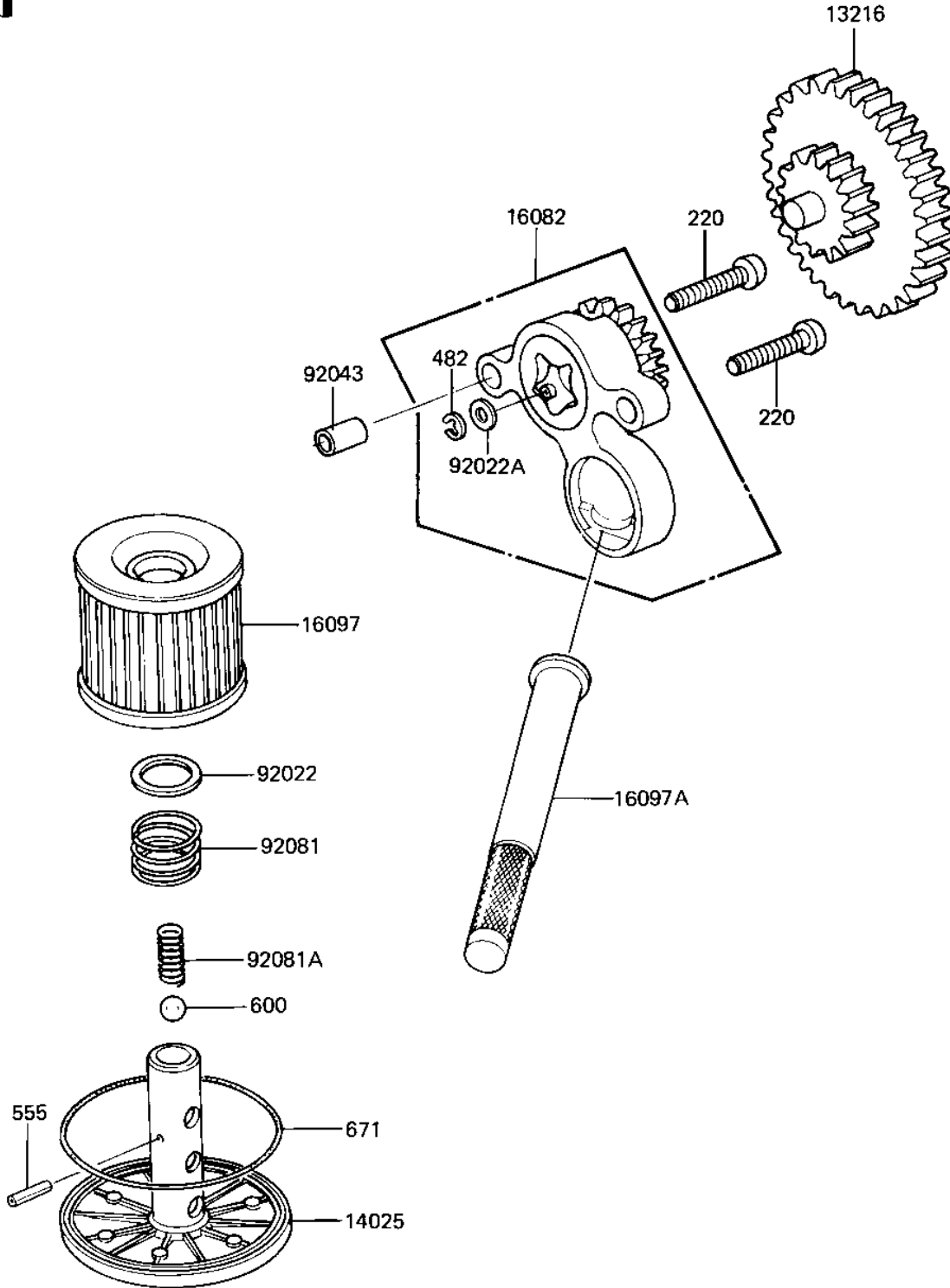


# 1982 CSR Belt PARTS DIAGRAM

OIL PUMP/OIL FILTER

E1710-0011



# 1982 CSR Belt PARTS LIST

## OIL PUMP/OIL FILTER

ITEM NAME	PART NUMBER	QUANTITY
GEAR-COMP,OIL PUMP (Ref # 13216)	13216-1031	1
COVER,OIL FILTER (Ref # 14025)	14025-1052	1
PUMP-ASSY-OIL (Ref # 16082)	16082-1007	1
FILTER-ASSY-OIL (Ref # 16097)	16097-1002	1
FILTER-ASSY-OIL,STRAI (Ref # 16097A)	16097-1003	1
WASHER,THRUST (Ref # 92022)	41065-004	1
WASHER,5X9X0.5 (Ref # 92022A)	92022-1146	1
PIN-DOWEL (Ref # 92043)	92042-007	2
SPRING,OIL FILTER (Ref # 92081)	92081-1018	1
SPRING (Ref # 92081A)	92081-109	1
SCREW PAN HEAD 6X30 (Ref # 220)	220B0630	2
CIRCLIP SELD BEM FIT (Ref # 482)	482K4000	1
PIN-SPRING,2X16 (Ref # 555)	555A0216	1
BALL STEEL 3/8' (Ref # 600)	600A1200	1
"0" RING,65MM (Ref # 671)	671B2565	1