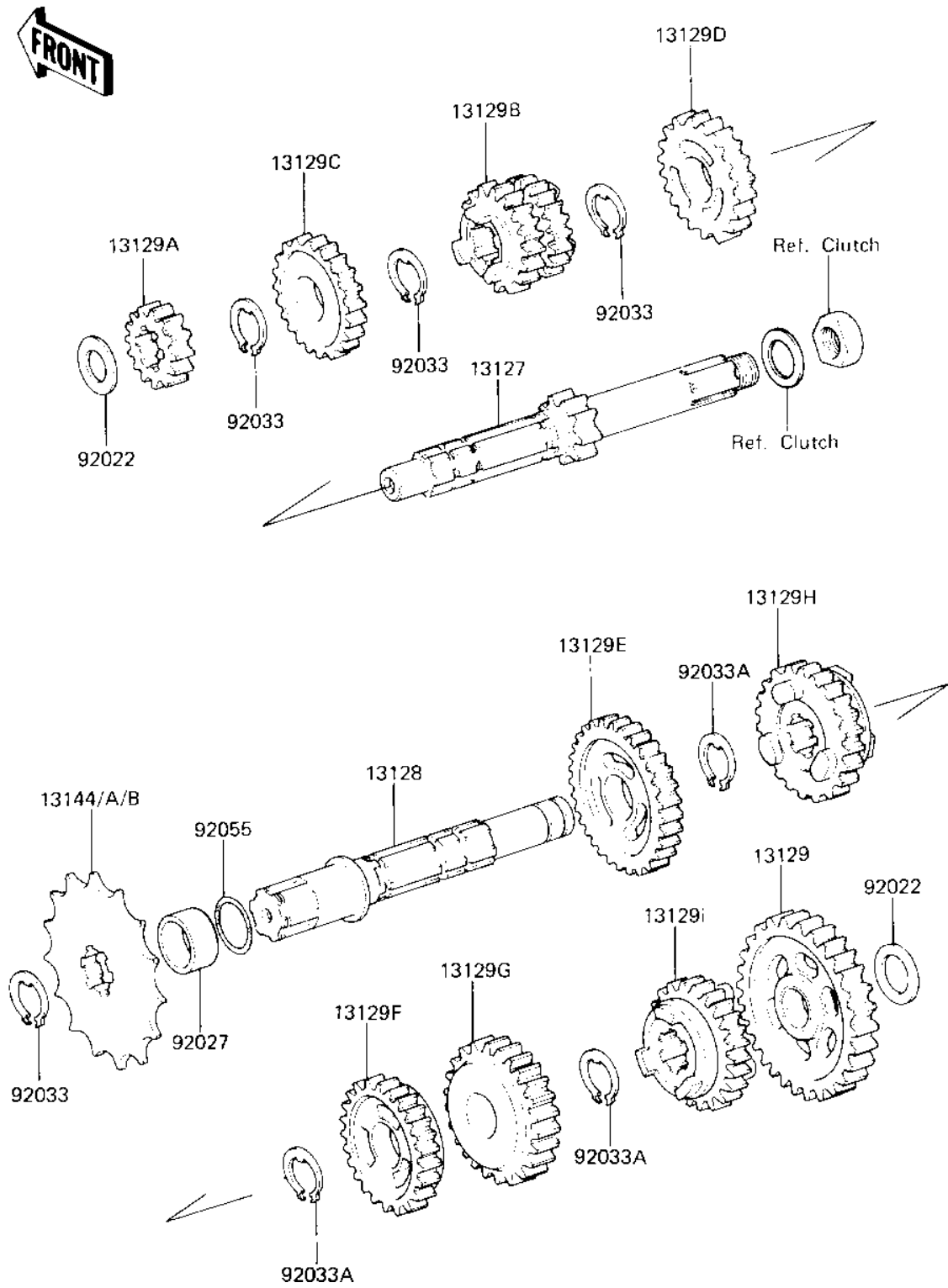


# 1983 KX125 PARTS DIAGRAM

TRANSMISSION (KX125-B2)

E1361-0094



# 1983 KX125 PARTS LIST

## TRANSMISSION (KX125-B2)

ITEM NAME	PART NUMBER	QUANTITY
SHAFT-TRANSMISSION IN (Ref # 13127)	13127-1062	1
SHAFT-TRANSMISSION OU (Ref # 13128)	13128-1046	1
GEAR,OUTPUT,LOW,30T (Ref # 13129)	13129-1304	1
GEAR INPUT 5TH,24T (Ref # 13129C)	13129-1384	1
GEAR INPUT TOP,22T (Ref # 13129D)	13129-1385	1
GEAR OUTPUT 2ND,28T (Ref # 13129E)	13129-1386	1
GEAR OUTPUT 3RD,28T (Ref # 13129F)	13129-1387	1
GEAR OUTPUT 4TH,26T (Ref # 13129G)	13129-1389	1
GEAR OUTPUT 5TH,25T (Ref # 13129H)	13129-1390	1
ENGINE SPROCKET,11T (Ref # 13144)	13144-1036	1
SPROCKET-OUTPUT,12T (Ref # 13144A)	13144-1049	1
SPROCKET-OUTPUT 13T (Ref # 13144B)	13144-1050	1
WASHER,THRUST,15MM (Ref # 92022)	92022-279	2
COLLAR,20X25X10.8 (Ref # 92027)	92027-1445	1
RING-SNAP,18MM (Ref # 92033)	92033-1079	1
RING-SNAP (Ref # 92033A)	92033-1231	3
"O" RING (Ref # 92055)	92055-022	1