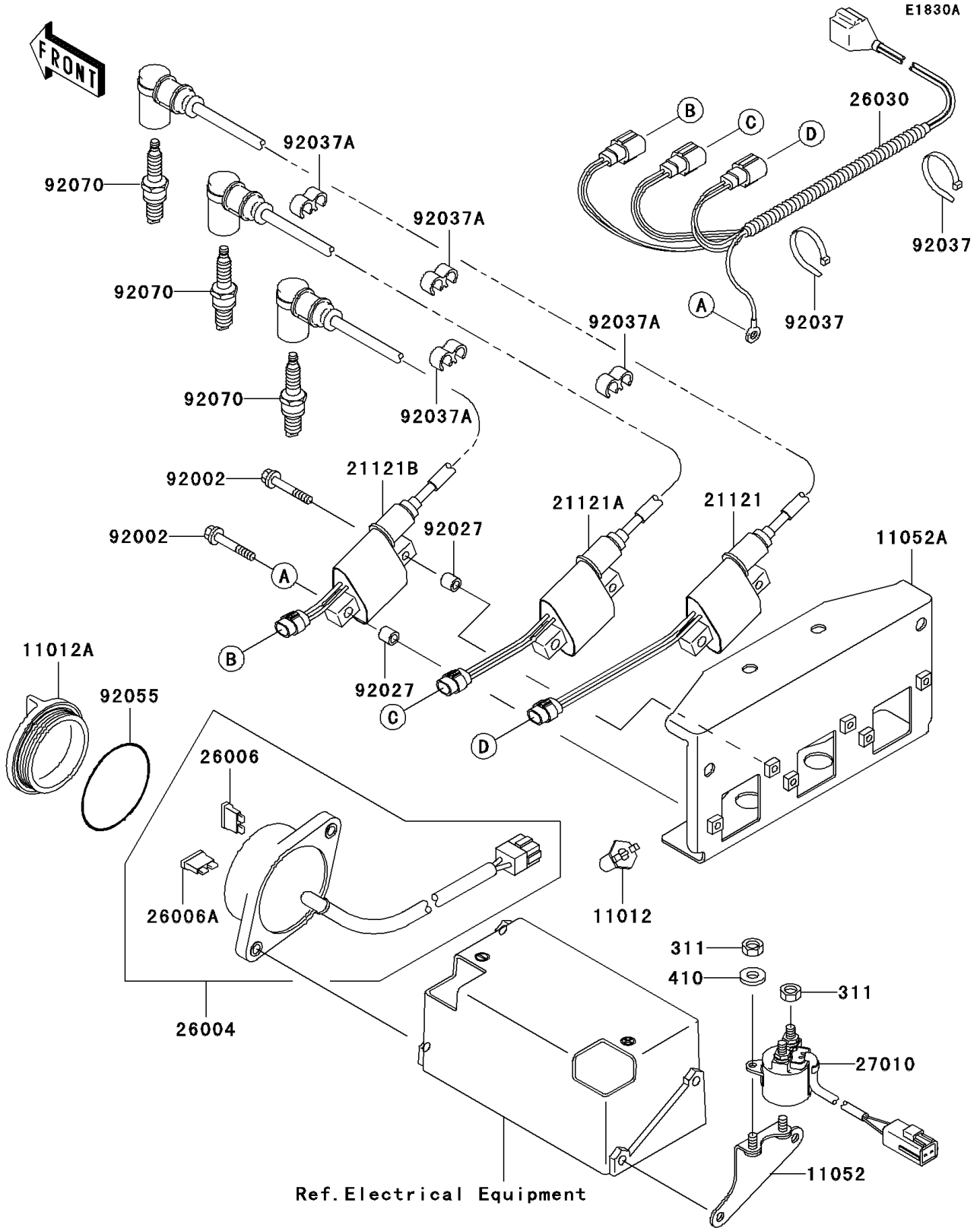


2002 1100 STX D.I. PARTS DIAGRAM

Ignition System(JT1100-F2)



2002 1100 STX D.I. PARTS LIST

Ignition System(JT1100-F2)

ITEM NAME	PART NUMBER	QUANTITY
NUT-HEX,6MM (Ref # 311)	311R0600	4
WASHER-PLAIN-SMALL,6MM (Ref # 410)	410S0600	2
CAP,HOLDER (Ref # 11012)	11012-3768	3
CAP (Ref # 11012A)	11012-3791	1
BRACKET (Ref # 11052)	11052-3745	1
BRACKET (Ref # 11052A)	11052-3753	1
COIL-IGNITION,#1 BLACK (Ref # 21121)	21121-3719	1
COIL-IGNITION,#2 GREEN (Ref # 21121A)	21121-3720	1
COIL-IGNITION,#3 WHITE (Ref # 21121B)	21121-3721	1
FUSE-ASSY (Ref # 26004)	26004-3722	1
FUSE,10A-R (Ref # 26006)	26006-1007	2
FUSE,20A-Y (Ref # 26006A)	26006-1051	2
HARNESS (Ref # 26030)	26030-3755	1
SWITCH (Ref # 27010)	27010-3774	1
BOLT,6X35 (Ref # 92002)	92002-3715	6
COLLAR,6.2X10X10 (Ref # 92027)	92027-3705	6
CLAMP (Ref # 92037)	92037-1173	2
CLAMP,HOSE (Ref # 92037A)	92037-1603	4
RING-O (Ref # 92055)	92055-1292	1
PLUG-SPARK,PZFR7G-G(NGK),SOLID (Ref # 92070)	92070-3705	3