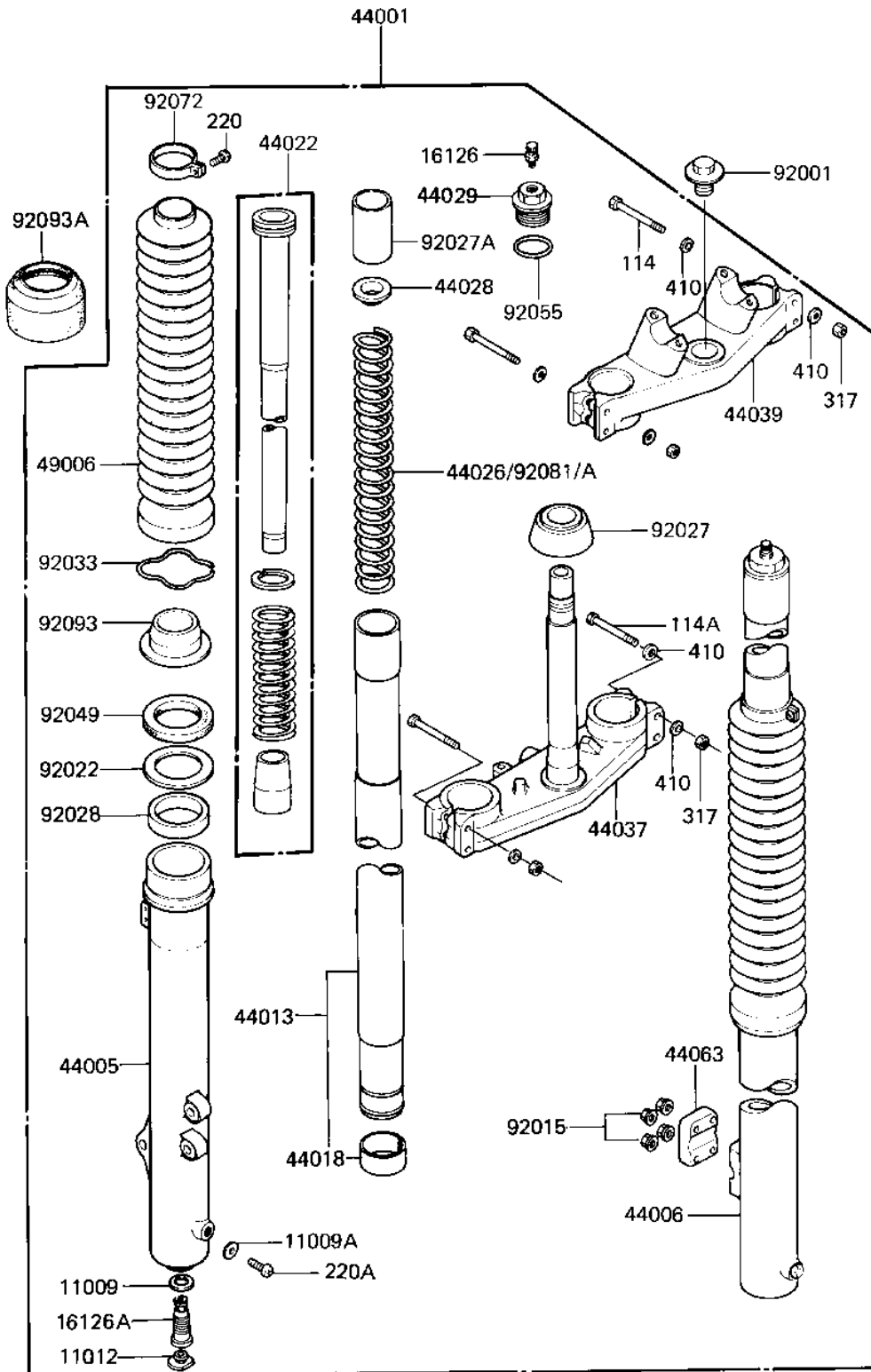


1983 KX125 PARTS DIAGRAM

FRONT FORK (KX125-B2)

F2340-0154



1983 KX125 PARTS LIST

FRONT FORK (KX125-B2)

ITEM NAME	PART NUMBER	QUANTITY
GASKET,FORK CYLINDER (Ref # 11009)	11009-1324	2
GASKET FORK DRAIN PLG (Ref # 11009A)	44045-002	2
CAP,FORK CYLINDER (Ref # 11012)	11012-1277	2
VALVE,AIR FRONT FORK (Ref # 16126)	16126-1048	2
VALVE,FORK CYLINDER (Ref # 16126A)	16126-1054	2
FORK-FRONT (Ref # 44001)	44001-1381	1
PIPE-LEFT FORK OUTER (Ref # 44005)	44005-1122	1
PIPE-RIGHT FORK OUTER (Ref # 44006)	44006-1122	1
PIPE-FORK INNER (Ref # 44013)	44013-1101	2
PISTON-FORK (Ref # 44018)	44018-1005	4
CYLINDER-FORK (Ref # 44022)	44022-1087	2
SPRING-FRONT FORK (Ref # 44026)	44026-1169	2
GUIDE-FORK SPRING (Ref # 44028)	44028-1010	2
SEAT-FORK SPRING (Ref # 44029)	44029-1041	2
HOLDER-FORK UNDER (Ref # 44037)	44037-1084	1
HOLDER-FORK UPPER (Ref # 44039)	44039-1060	1
HOLDER-FRONT AXLE (Ref # 44063)	44063-1008	1
BOOT (Ref # 49006)	49006-1081	2
BOLT (Ref # 92001)	92001-1520	1
NUT-6MM (Ref # 92015)	92015-1078	4
WASHER (Ref # 92022)	92022-1299	2
COLLAR,FRONT FORK (Ref # 92027)	92027-1427	1
COLLAR,FORK INNER (Ref # 92027A)	92027-1533	2
BUSHING (Ref # 92028)	92028-1145	2
RING-SNAP (Ref # 92033)	92033-1077	2
SEAL-OIL,FORK OUTER T (Ref # 92049)	92049-1295	2
RING-O (Ref # 92055)	92055-1123	2
BAND (Ref # 92072)	92072-1078	2
SPRING,FRONT FORK,K=0 (Ref # 92081)	92081-1556	2

1983 KX125 PARTS LIST

FRONT FORK (KX125-B2)

ITEM NAME	PART NUMBER	QUANTITY
SPRING,FRONT FORK,K=0 (Ref # 92081A)	92081-1557	2
SEAL,FORK DUST (Ref # 92093)	92093-1086	2
SEAL,FORK DUST (Ref # 92093A)	92093-1094	2
BOLT HEX HEAD 8X50 (Ref # 114)	114G0850	4
BOLT,HEX HEAD,8X55 (Ref # 114A)	114G0855	4
SCREW-PAN-CROS (Ref # 220)	220B0316	2
SCREW PAN HEAD 4X8 (Ref # 220A)	220B0408	2
NUT,8MM (Ref # 317)	317G0800	8
WASHER PLAIN 8MM (Ref # 410)	410B0800	16