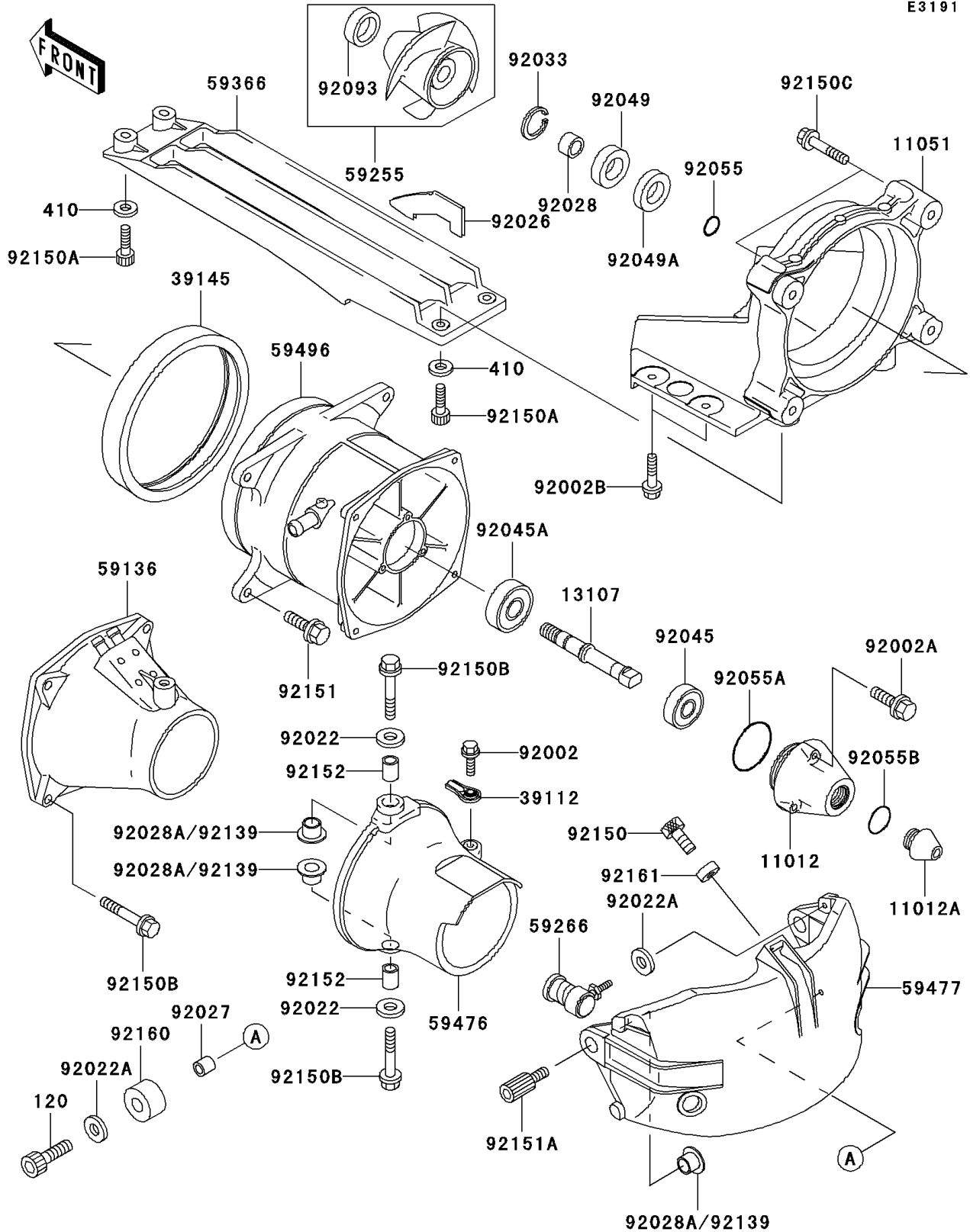


2002 1100 STX D.I. PARTS DIAGRAM

Jet Pump

E3191



2002 1100 STX D.I. PARTS LIST

Jet Pump

| ITEM NAME | PART NUMBER | QUANTITY |
|------------------------------------|-------------|----------|
| CAP (Ref # 11012) | 11012-3785 | 1 |
| CAP (Ref # 11012A) | 11012-3786 | 1 |
| BRACKET (Ref # 11051) | 11051-3763 | 1 |
| SHAFT,JETPUMP (Ref # 13107) | 13107-3752 | 1 |
| RODEND-TIE (Ref # 39112) | 39112-3703 | 1 |
| TRIM-SEAL (Ref # 39145) | 39145-3742 | 1 |
| NOZZLE-PUMP (Ref # 59136) | 59136-3747 | 1 |
| IMPELLER-COMP (Ref # 59255) | 59255-3717 | 1 |
| JOINT-BALL (Ref # 59266) | 59266-3707 | 1 |
| GRATE (Ref # 59366) | 59366-3719 | 1 |
| NOZZLE-STRG (Ref # 59476) | 59476-3739 | 1 |
| BUCKET-REVERSE (Ref # 59477) | 59477-3707 | 1 |
| VANE-GUIDE (Ref # 59496) | 59496-3718 | 1 |
| BOLT,6X25 (Ref # 92002) | 92002-3714 | 1 |
| BOLT,6X30 (Ref # 92002A) | 92002-3726 | 3 |
| BOLT,6X20 (Ref # 92002B) | 92002-3755 | 4 |
| WASHER,PLAIN (Ref # 92022) | 92022-3026 | 2 |
| WASHER (Ref # 92022A) | 92022-567 | 2 |
| SPACER (Ref # 92026) | 92026-3742 | 3 |
| COLLAR,6.2X10X10 (Ref # 92027) | 92027-3705 | 1 |
| BUSHING (Ref # 92028) | 92028-3756 | 1 |
| RING-SNAP (Ref # 92033) | 92033-3725 | 1 |
| BEARING-BALL,62022RD (Ref # 92045) | 92045-3721 | 1 |
| BEARING-BALL (Ref # 92045A) | 92045-3727 | 1 |
| SEAL-OIL,SCJ30X50X7 (Ref # 92049) | 92049-3720 | 1 |
| SEAL-OIL,SCY30X50X7 (Ref # 92049A) | 92049-3721 | 1 |
| RING-O,OIL FILTER (Ref # 92055) | 92055-1011 | 1 |
| RING-O (Ref # 92055A) | 92055-3741 | 1 |
| RING-O (Ref # 92055B) | 92055-3744 | 1 |

2002 1100 STX D.I. PARTS LIST

Jet Pump

| ITEM NAME | PART NUMBER | QUANTITY |
|------------------------------------|-------------|----------|
| SEAL,JET PUMP (Ref # 92093) | 92093-3739 | 1 |
| BUSHING (Ref # 92139) | 92139-3701 | 4 |
| BOLT,SOCKET,6X10 (Ref # 92150) | 92150-3759 | 1 |
| BOLT,SOCKET,6X18 (Ref # 92150A) | 92150-3775 | 4 |
| BOLT,8X35 (Ref # 92150B) | 92150-3792 | 6 |
| BOLT,FLANGED,8X30 (Ref # 92150C) | 92150-3803 | 2 |
| BOLT,10X30 (Ref # 92151) | 92151-3706 | 4 |
| BOLT (Ref # 92151A) | 92151-3716 | 2 |
| COLLAR,8.2X11.8X15 (Ref # 92152) | 92152-3703 | 2 |
| DAMPER (Ref # 92160) | 92160-3739 | 1 |
| BOLT-SOCKET,6X20 (Ref # 120) | 120R0620 | 1 |
| WASHER-PLAIN-SMALL,6MM (Ref # 410) | 410S0600 | 4 |
| DAMPER (Ref # 92161) | 92161-3717 | 1 |