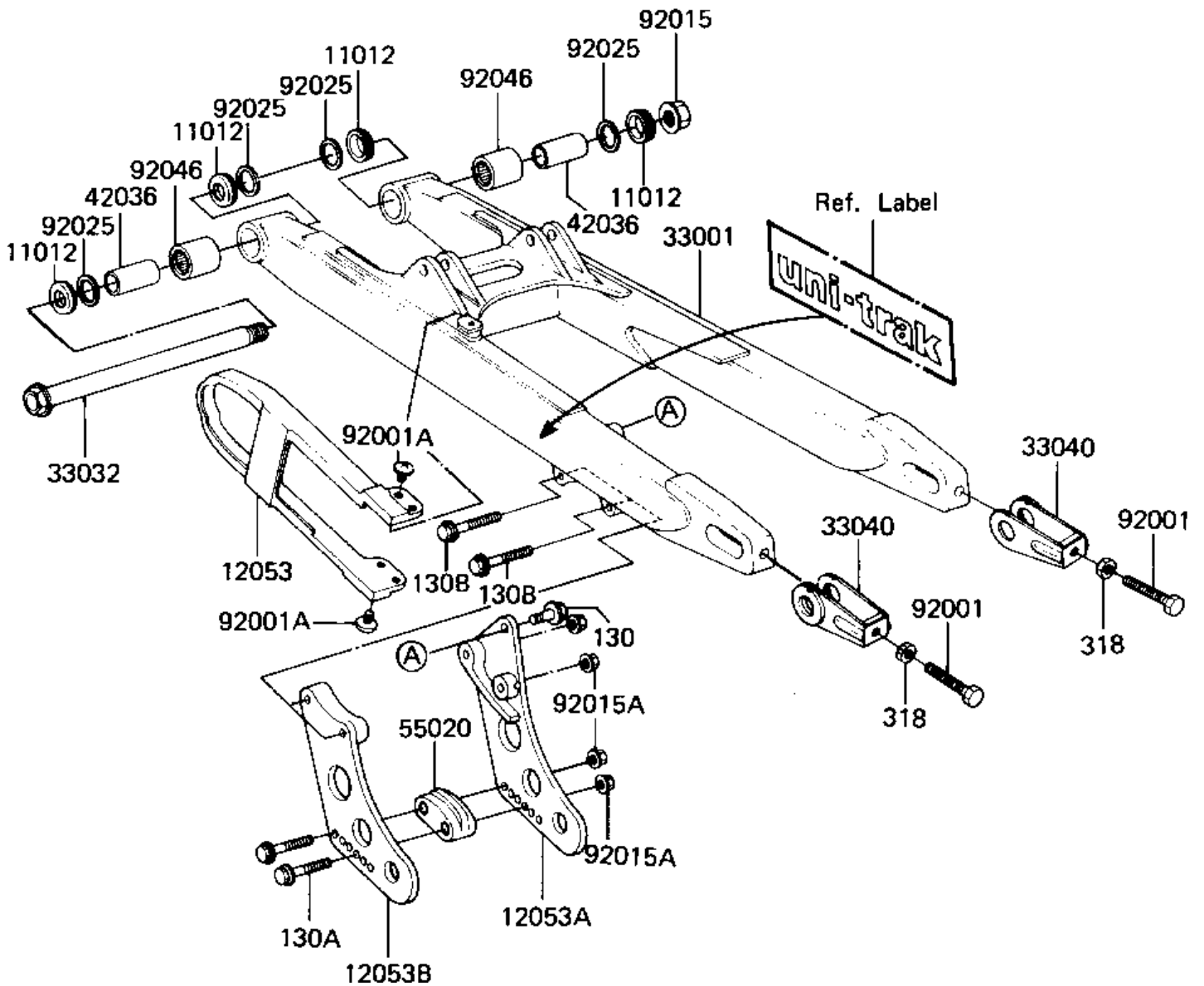


1982 KX250 PARTS DIAGRAM

SWING ARM

F2140-0118



1982 KX250 PARTS LIST

SWING ARM

ITEM NAME	PART NUMBER	QUANTITY
CAP,SWING ARM (Ref # 11012)	11012-1207	4
GUIDE-CHAIN (Ref # 12053)	12053-1062	1
GUIDE-CHAIN (Ref # 12053A)	12053-1063	1
GUIDE-CHAIN (Ref # 12053B)	12053-1064	1
ARM-COMP-SWING (Ref # 33001)	33001-1125	1
SHAFT-SWING ARM (Ref # 33032)	33032-1042	1
ADJUSTER,CHAIN (Ref # 33040)	33040-4004	2
SLEEVE,SWING ARM (Ref # 42036)	42036-1056	2
GUARD,CHAIN (Ref # 55020)	55020-1060	1
BOLT,CHAIN ADJUSTER (Ref # 92001)	92001-1027	2
SCREW,6X10 (Ref # 92001A)	92009-1286	2
NUT,14MM (Ref # 92015)	92015-1407	1
NUT-6MM (Ref # 92015A)	92015-1078	4
SHIM,SWING ARM (Ref # 92025)	92025-1116	4
BRG,NEEDLE,HMK2030 (Ref # 92046)	92046-1031	2
BOLT,FLANGED,6X14 (Ref # 130)	130G0614	1
BOLT,FLANGED,6X45 (Ref # 130A)	130G0645	2
BOLT,FLANGED,6X55 (Ref # 130B)	130G0655	2
NUT 8MM (Ref # 318)	318G0800	2