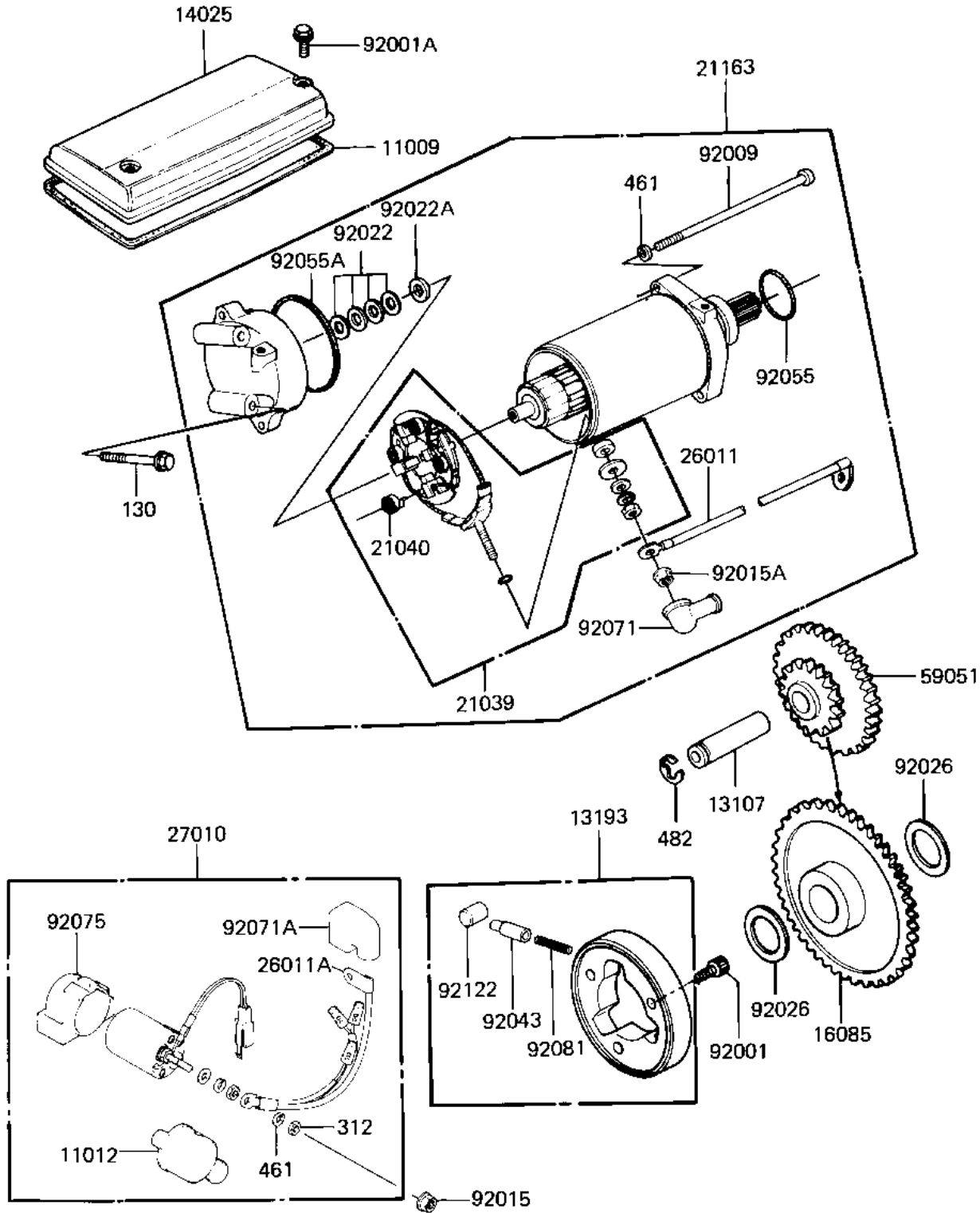


1982 GPz PARTS DIAGRAM

STARTER MOTOR/STARTER CLUTCH

E1840-0026



1982 GPz PARTS LIST

STARTER MOTOR/STARTER CLUTCH

ITEM NAME	PART NUMBER	QUANTITY
GASKET,STARTER COVER (Ref # 11009)	11009-1069	1
COVER MAGNETIC SWITCH (Ref # 11012)	21141-004	1
SHAFT,IDLE GEAR (Ref # 13107)	13107-1006	1
CLUTCH ASSY,ONEWAY (Ref # 13193)	13193-1002	1
COVER,STARTER MOTOR (Ref # 14025)	14025-1379	1
GEAR,ONEWAY CLUTCH (Ref # 16085)	16085-1030	1
BRUSH SET,CARBON (Ref # 21039)	21039-1005	1
SPRING,CARBON BRUSH (Ref # 21040)	21040-1002	4
STARTER-ELECTRIC (Ref # 21163)	21163-1031	1
WIRE STRTER MOT LEAD (Ref # 26011)	26010-035	1
WIRE-LEAD,STARTER MOT (Ref # 26011A)	26011-1151	1
SWITCH (Ref # 27010)	27010-1061	1
GEAR,STARTER IDLE (Ref # 59051)	59051-1011	1
BOLT,SOCKET,8X10 (Ref # 92001)	92001-1424	3
BOLT,6X10,BLACK (Ref # 92001A)	92001-1525	2
SCREW,PAN HEAD,6X110 (Ref # 92009)	21015-005	2
NUT-6MM (Ref # 92015)	92015-1078	2
NUT-6MM (Ref # 92015A)	92015-1078	2
WASHER,THRUST,0.2T (Ref # 92022)	21025-011	4
WASHER,THRUST,0.8T (Ref # 92022A)	92022-1132	1
SPACER,25X36X3.2 (Ref # 92026)	92026-1025	2
PIN (Ref # 92043)	92043-132	3
"0" RING,STARTING MTR (Ref # 92055)	21027-004	1
"0" RING,STARTER MOTR (Ref # 92055A)	92055-1086	2
CAP,STARTING MOTOR (Ref # 92071)	21017-020	1
CAP,MAG SWTCH TERMNL (Ref # 92071A)	21017-021	1
DAMPER MAG SWITCH SHK (Ref # 92075)	21064-002	1
SPRING,COIL (Ref # 92081)	92081-159	3
ROLLER (Ref # 92122)	92122-006	3

1982 GPz PARTS LIST

STARTER MOTOR/STARTER CLUTCH

ITEM NAME	PART NUMBER	QUANTITY
BOLT,FLANGED,6X55 (Ref # 130)	130G0655	2
NUT 6MM (Ref # 312)	312B0600	1
WASHER SPRING 6MM (Ref # 461)	461F0600	1
CIRCLIP 12MM (Ref # 482)	482K0200	1