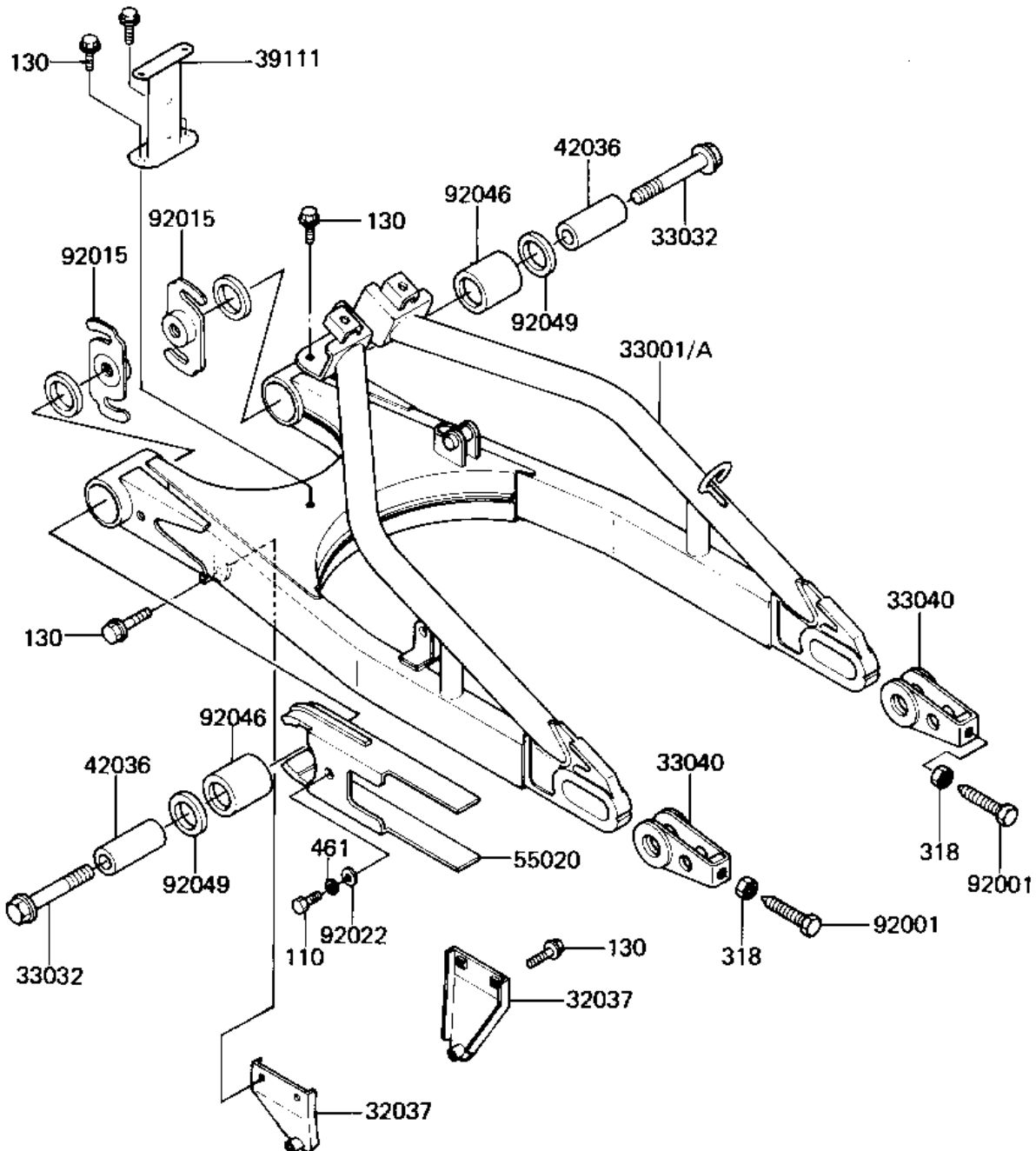


# 1983 GPz PARTS DIAGRAM

## SWING ARM

F2140-0116



# 1983 GPz PARTS LIST

## SWING ARM

ITEM NAME	PART NUMBER	QUANTITY
BRACKET-SHOCKABSORBER (Ref # 32037)	32037-1180	2
ARM-COMP-SWING,F.RED (Ref # 33001)	33001-1126-B1	1
SHAFT-SWING ARM,16X10 (Ref # 33032)	33032-1024	2
ADJUSTER-CHAIN (Ref # 33040)	33040-1020	2
ROD-TIE (Ref # 39111)	39111-1014	1
SLEEVE,16.1X25X53.4 (Ref # 42036)	42036-1057	2
GUARD (Ref # 55020)	55020-1061	2
BOLT,8X50 (Ref # 92001)	92001-1399	2
NUT (Ref # 92015)	92015-1184	2
WASHER 6.5X20X1.6T (Ref # 92022)	92022-125	1
BEARING-NEEDLE (Ref # 92046)	92046-1035	2
SEAL-OIL (Ref # 92049)	92049-1060	4
BOLT-UPSET 6X14 (Ref # 110)	112B0614	1
BOLT,FLANGED,8X14 (Ref # 130)	130G0814	8
NUT 8MM (Ref # 318)	318B0800	2
WASHER SPRING 6MM (Ref # 461)	461F0600	1