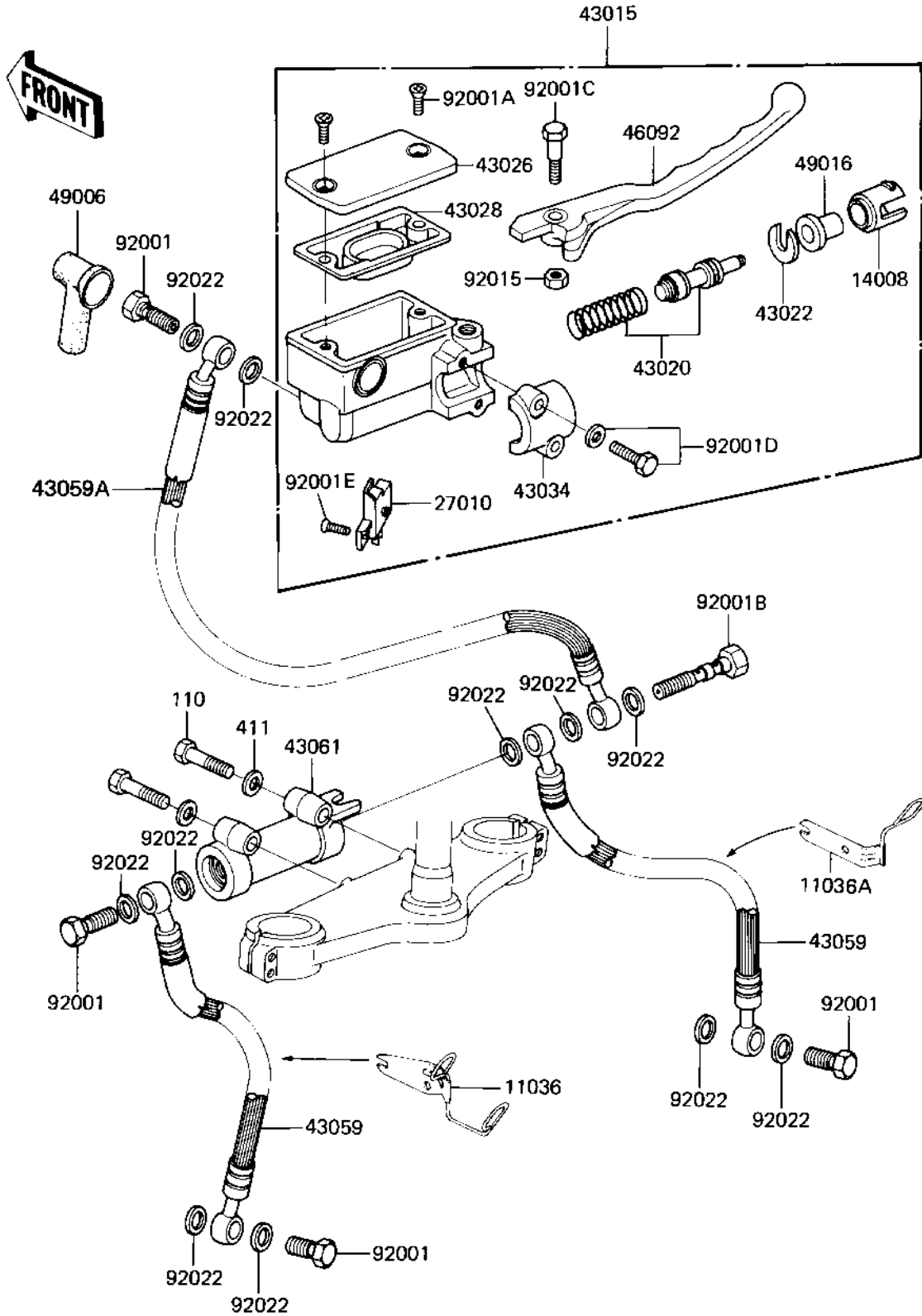


# 1983 GPz PARTS DIAGRAM

## FRONT MASTER CYLINDER

F2291-0059



# 1983 GPz PARTS LIST

## FRONT MASTER CYLINDER

ITEM NAME	PART NUMBER	QUANTITY
BRACKET,BRAKE HOSE,FR (Ref # 11036)	11036-1170	1
BRACKET,BRAKE HOSE,FR (Ref # 11036A)	11036-1171	1
LINER,PISTON (Ref # 14008)	14008-1035	1
SWITCH,BRAKE (Ref # 27010)	27010-1056	1
CYLINDER-ASSY-MASTER (Ref # 43015)	43015-1085	1
PISTON-COMP-BRAKE (Ref # 43020)	43020-1079	1
STOPPER-BRAKE,PISTON (Ref # 43022)	43022-1009	1
CAP-BRAKE,FRONT (Ref # 43026)	43026-1017	1
DIAPHRAGM,MASTER CYL1 (Ref # 43028)	43028-1029	1
HOLDER-BRAKE,MASTER C (Ref # 43034)	43034-1013	1
HOSE-BRAKE,L=565 (Ref # 43059)	43059-1134	2
HOSE-BRAKE,L=330 (Ref # 43059A)	43059-1204	1
JOINT,FR BRAKE HOSE (Ref # 43061)	43061-1002	1
LEVER-GRIP,MASTER CYL (Ref # 46092)	46092-1026	1
BOOT,DUST (Ref # 49006)	49006-1067	1
COVER-SEAL,BRK PISTON (Ref # 49016)	49016-1041	1
BOLT,OIL,L=23 (Ref # 92001)	92002-1888	4
SCREW,COUNTERSUNK HED (Ref # 92001A)	92001-1055	2
BOLT (Ref # 92001B)	92002-1909	1
BOLT,6X37.3,BLACK (Ref # 92001C)	92001-1512	1
BOLT,W/WASHER,6X25,BL (Ref # 92001D)	92001-1513	2
SCREW-COUNTERSUNK (Ref # 92001E)	92001-1532	1
NUT,LOCK,6MM,BLACK (Ref # 92015)	92015-1191	1
WASHER-OIL BOLT (Ref # 92022)	43067-001	11
BOLT 6X35 (Ref # 110)	110R0635	2
WASHER PLAIN 6MM (Ref # 411)	411B0600	2