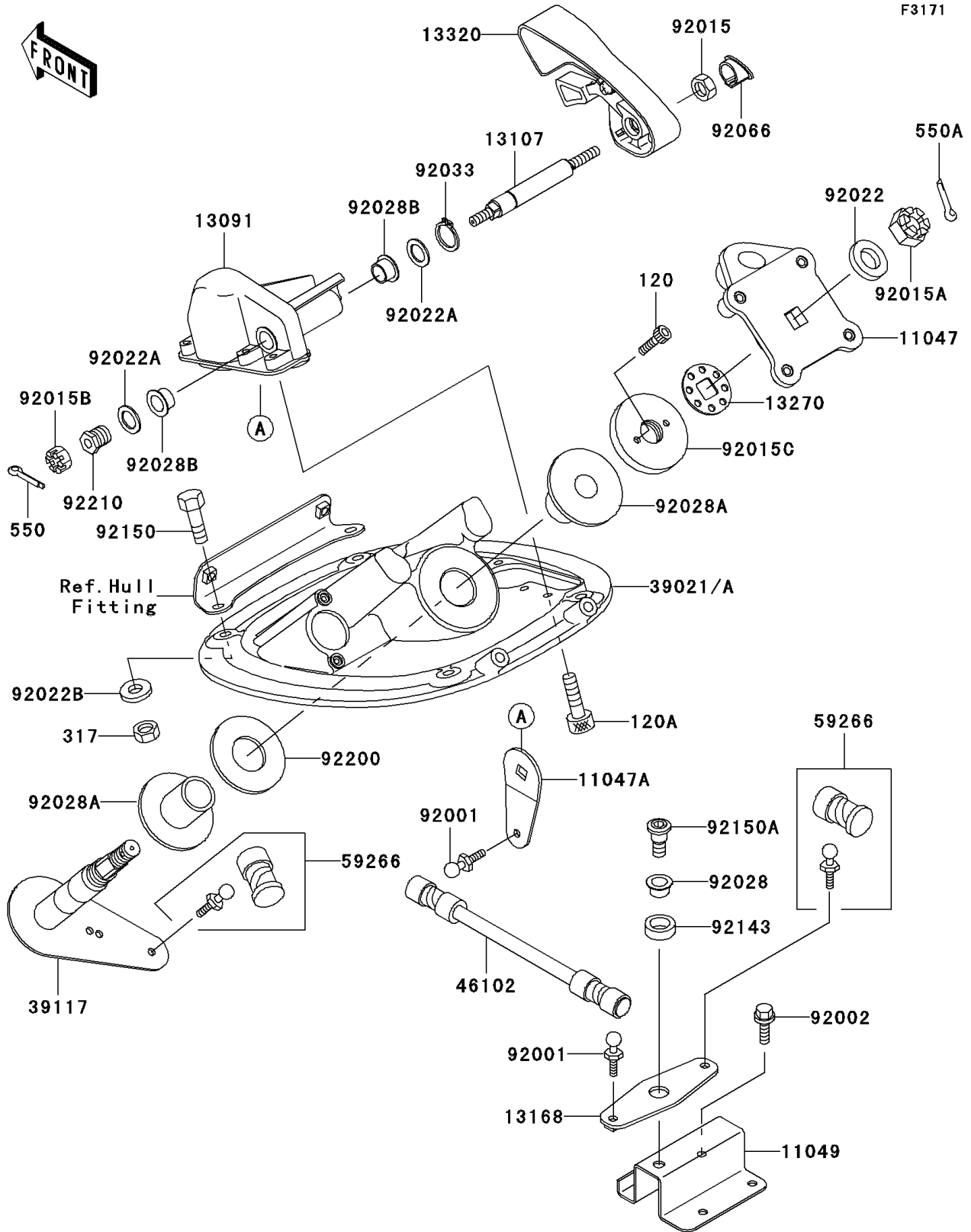


# 2002 1100 STX D.I. PARTS DIAGRAM

Handle Pole



## 2002 1100 STX D.I. PARTS LIST

### Handle Pole

| ITEM NAME                             | PART NUMBER | QUANTITY |
|---------------------------------------|-------------|----------|
| BOLT-SOCKET,5X10 (Ref # 120)          | 120R0510    | 2        |
| BOLT-SOCKET,6X16,BLACK (Ref # 120A)   | 120S0616    | 4        |
| NUT-HEX-SMALL (Ref # 317)             | 317R0800    | 4        |
| PIN-COTTER (Ref # 550)                | 550S2020    | 1        |
| PIN-COTTER,3X35 (Ref # 550A)          | 550S3035    | 1        |
| BRACKET,HANDLE HOLDER (Ref # 11047)   | 11047-3759  | 1        |
| BRACKET,STEERING LEVER (Ref # 11047A) | 11047-3790  | 1        |
| BRACKET,REVERSE (Ref # 11049)         | 11049-3762  | 1        |
| HOLDER (Ref # 13091)                  | 13091-3809  | 1        |
| SHAFT (Ref # 13107)                   | 13107-3751  | 1        |
| LEVER,REVERSE (Ref # 13168)           | 13168-3739  | 1        |
| PLATE,STEERING NUT (Ref # 13270)      | 13270-3808  | 1        |
| LEVER-ASSY,REVERSE (Ref # 13320)      | 13320-3716  | 1        |
| BRACKET-HANDLE POLE (Ref # 39021A)    | 39021-3712  | 1        |
| SHAFT-STRG (Ref # 39117)              | 39117-3713  | 1        |
| ROD (Ref # 46102)                     | 46102-3723  | 1        |
| JOINT-BALL (Ref # 59266)              | 59266-3707  | 2        |
| BOLT,BALL,6MM (Ref # 92001)           | 92001-3703  | 2        |
| BOLT,6X20 (Ref # 92002)               | 92002-3755  | 1        |
| NUT,FLANGED,8MM (Ref # 92015)         | 92015-3709  | 1        |
| NUT,CASTLE,14MM (Ref # 92015A)        | 92015-3805  | 1        |
| NUT,CASTLE,8MM (Ref # 92015B)         | 92015-3813  | 1        |
| NUT,STEERING,20MM (Ref # 92015C)      | 92015-3854  | 1        |
| WASHER,15X34X2.0 (Ref # 92022)        | 92022-3738  | 1        |
| WASHER,15.5X24X1.5 (Ref # 92022A)     | 92022-3739  | 2        |
| WASHER,8.4X23X2.5 (Ref # 92022B)      | 92022-3744  | 4        |
| BUSHING (Ref # 92028)                 | 92028-3740  | 1        |
| BUSHING,STEERING (Ref # 92028A)       | 92028-3748  | 2        |
| BUSHING (Ref # 92028B)                | 92028-3755  | 2        |

## 2002 1100 STX D.I. PARTS LIST

### Handle Pole

| ITEM NAME                        | PART NUMBER | QUANTITY |
|----------------------------------|-------------|----------|
| RING-SNAP,15MM (Ref # 92033)     | 92033-3710  | 1        |
| PLUG,REVERSE LEVER (Ref # 92066) | 92066-3761  | 1        |
| COLLAR,16X24X8 (Ref # 92143)     | 92143-3768  | 1        |
| BOLT,FLANGED,8X30 (Ref # 92150)  | 92150-3803  | 4        |
| BOLT (Ref # 92150A)              | 92150-3827  | 1        |
| WASHER,32.5X70X2 (Ref # 92200)   | 92200-3718  | 1        |
| NUT,8MM (Ref # 92210)            | 92210-3703  | 1        |