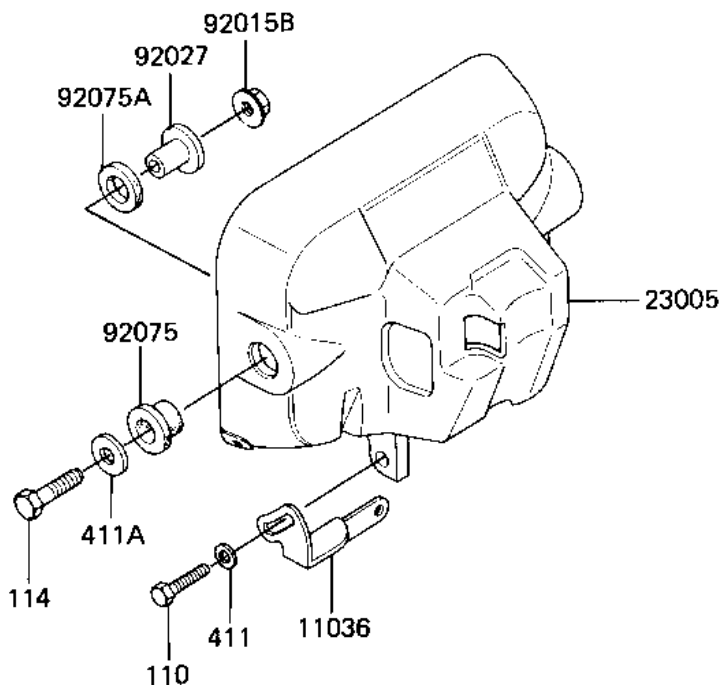
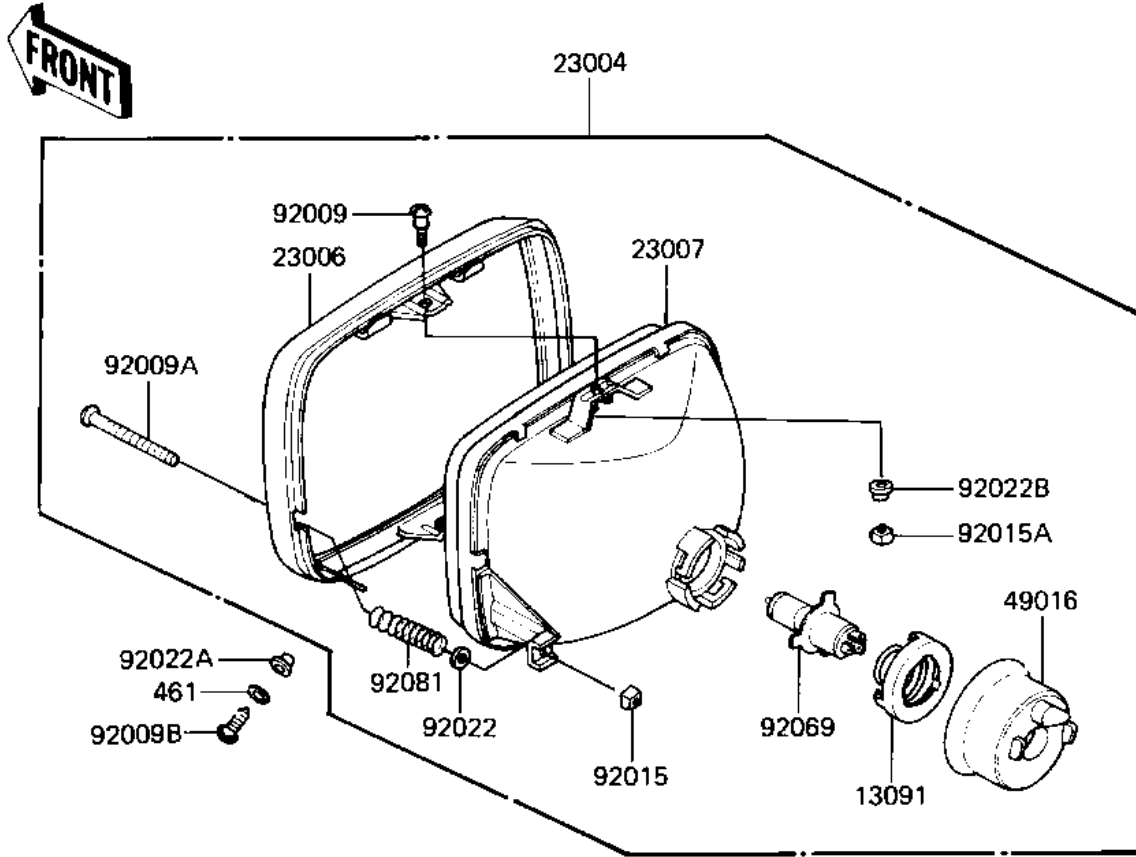


# 1982 GPz PARTS DIAGRAM

HEADLIGHT

F2710-0108



# 1982 GPz PARTS LIST

## HEADLIGHT

ITEM NAME	PART NUMBER	QUANTITY
BRACKET-A (Ref # 11036)	11036-1358	1
HOLDER,HEAD LAMP SOCK (Ref # 13091)	13091-1036	1
LAMP-HEAD (Ref # 23004)	23004-1116	1
BODY-COMP-HEAD LAMP,B (Ref # 23005)	23005-1023-6Z	1
RIM-LAMP,BLACK (Ref # 23006)	23006-1024	1
LENS COMP (Ref # 23007)	23007-1041	1
COVER,HEAD LAMP SOCKE (Ref # 49016)	49016-1023	1
SCREW-PAN HEAD,5X12 (Ref # 92009)	23019-023	2
SCREW,HEAD LAMP LENS (Ref # 92009A)	92009-1047	1
SCREW-PAN HEAD,5MM (Ref # 92009B)	92011-024	2
NUT,4MM (Ref # 92015)	23020-018	1
NUT,HEAD LAMP RIM FIT (Ref # 92015A)	23020-023	2
NUT,8M/M (Ref # 92015B)	92015-1014	2
WASHER (Ref # 92022)	23021-004	1
WASHER (Ref # 92022A)	23021-010	2
WASHER-PLAIN,5MM (Ref # 92022B)	23021-012	2
COLLAR,HEAD LAMP FITT (Ref # 92027)	92027-1131	2
BULB,12V-60/55W (Ref # 92069)	92069-1002	1
DAMPER,HEAD LAMP FITT (Ref # 92075)	92075-1109	2
DAMPER,HEAD LAMP FITT (Ref # 92075A)	92075-1110	2
SPRING,HEAD LAMP LENS (Ref # 92081)	92081-1103	1
BOLT-UPSET 6X14 (Ref # 110)	112B0614	1
BOLT-SMALL-UPSET (Ref # 114)	115C0835	2
WASHER PLAIN 6MM (Ref # 411)	411B0600	1
WASHER PLAIN (Ref # 411A)	411F0800	2
WASHER SPRING 5MM (Ref # 461)	461F0500	2