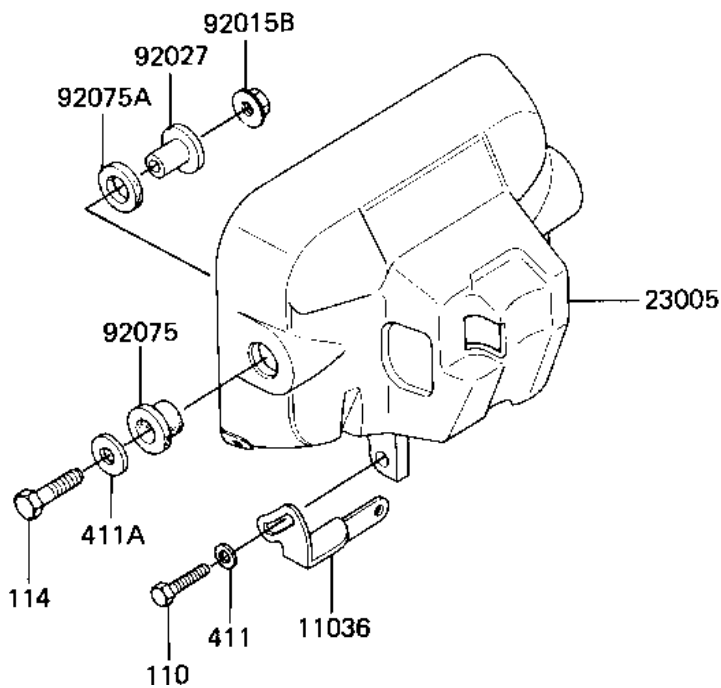
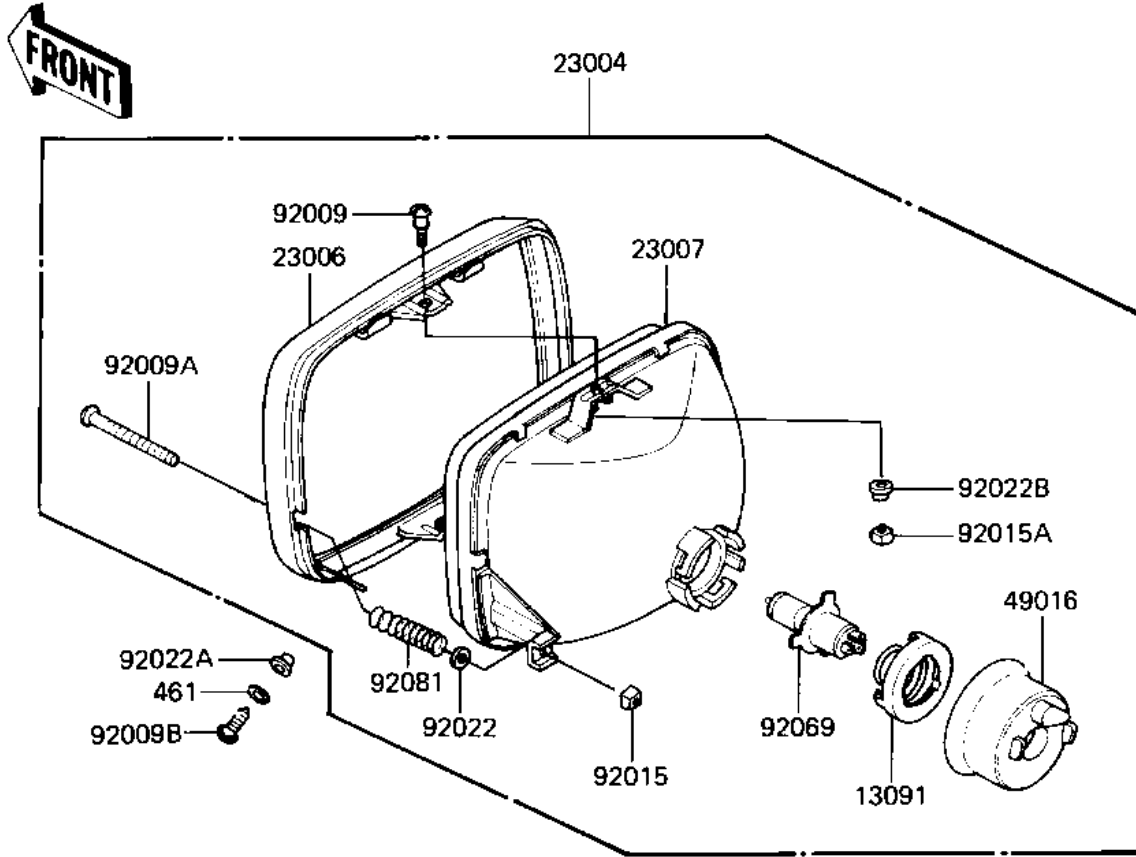


1983 GPz PARTS DIAGRAM

HEADLIGHT

F2710-0108



1983 GPz PARTS LIST

HEADLIGHT

| ITEM NAME | PART NUMBER | QUANTITY |
|--------------------------------------|---------------|----------|
| BRACKET-A (Ref # 11036) | 11036-1358 | 1 |
| HOLDER,HEAD LAMP SOCK (Ref # 13091) | 13091-1036 | 1 |
| LAMP-HEAD (Ref # 23004) | 23004-1116 | 1 |
| BODY-COMP-HEAD LAMP,B (Ref # 23005) | 23005-1023-6Z | 1 |
| RIM-LAMP,BLACK (Ref # 23006) | 23006-1024 | 1 |
| LENS COMP (Ref # 23007) | 23007-1041 | 1 |
| COVER,HEAD LAMP SOCKE (Ref # 49016) | 49016-1023 | 1 |
| SCREW-PAN HEAD,5X12 (Ref # 92009) | 23019-023 | 2 |
| SCREW,HEAD LAMP LENS (Ref # 92009A) | 92009-1047 | 1 |
| SCREW-PAN HEAD,5MM (Ref # 92009B) | 92011-024 | 2 |
| NUT,4MM (Ref # 92015) | 23020-018 | 1 |
| NUT,HEAD LAMP RIM FIT (Ref # 92015A) | 23020-023 | 2 |
| NUT,8M/M (Ref # 92015B) | 92015-1014 | 2 |
| WASHER (Ref # 92022) | 23021-004 | 1 |
| WASHER (Ref # 92022A) | 23021-010 | 2 |
| WASHER-PLAIN,5MM (Ref # 92022B) | 23021-012 | 2 |
| COLLAR,HEAD LAMP FITT (Ref # 92027) | 92027-1131 | 2 |
| BULB,12V-60/55W (Ref # 92069) | 92069-1002 | 1 |
| DAMPER,HEAD LAMP FITT (Ref # 92075) | 92075-1109 | 2 |
| DAMPER,HEAD LAMP FITT (Ref # 92075A) | 92075-1110 | 2 |
| SPRING,HEAD LAMP LENS (Ref # 92081) | 92081-1103 | 1 |
| BOLT-UPSET 6X14 (Ref # 110) | 112B0614 | 1 |
| BOLT-SMALL-UPSET (Ref # 114) | 115C0835 | 2 |
| WASHER PLAIN 6MM (Ref # 411) | 411B0600 | 1 |
| WASHER PLAIN (Ref # 411A) | 411F0800 | 2 |
| WASHER SPRING 5MM (Ref # 461) | 461F0500 | 2 |