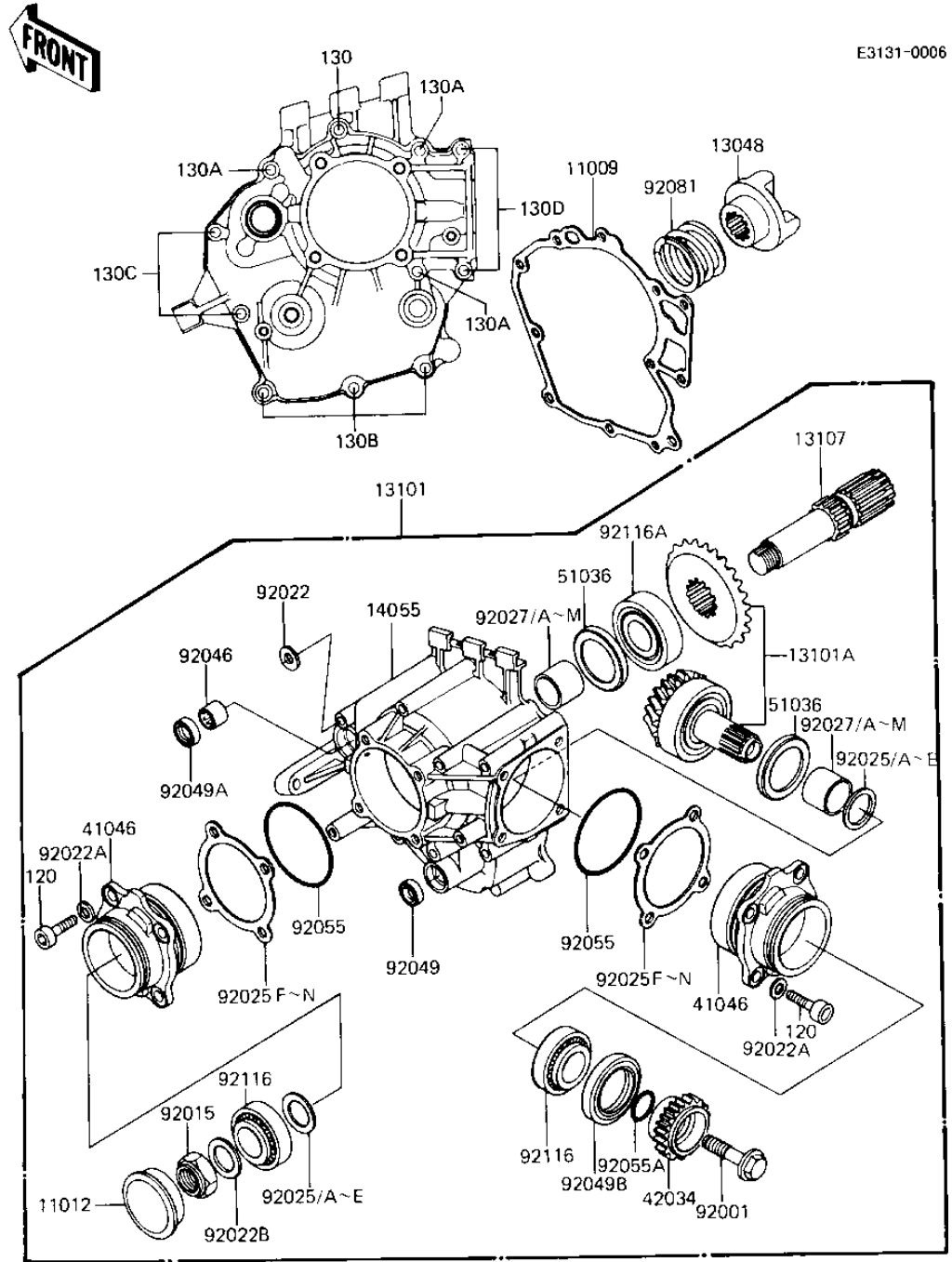


# 1982 Spectre PARTS DIAGRAM

## FRONT BEVEL GEARS



# 1982 Spectre PARTS LIST

## FRONT BEVEL GEARS

ITEM NAME	PART NUMBER	QUANTITY
GASCKET,FRONT BEVEL (Ref # 11009)	11009-1112	1
CAP (Ref # 11012)	11012-1071	1
CAM,DAMPER (Ref # 13048)	13048-1005	1
GEAR-ASSY,FRONT BEVEL (Ref # 13101)	13101-1014	1
GEAR SET,FRONT BEVEL (Ref # 13101A)	13101-5027	1
SHAFT,FRONT BEVEL GER (Ref # 13107)	13107-1014	1
CASE,FRONT BEVEL GEAR (Ref # 14055)	14055-1003	1
HOUSING-BEARING,F.BVL (Ref # 41046)	41046-1011	2
COUPLING,FR DRIVEN (Ref # 42034)	42034-1091	1
CUP (Ref # 51036)	51036-1002	2
BOLT,12X42 (Ref # 92001)	92001-1169	1
NUT,20M/M (Ref # 92015)	92015-1065	1
WASHER OIL PUMP BANJO (Ref # 92022)	92022-077	1
WASHER,PLAIN (Ref # 92022A)	92022-1028	8
WASHER,PLAIN,2.3X20.3 (Ref # 92022B)	92022-1116	1
SHIM,1.70T (Ref # 92025)	92025-1072	AR
SHIM,1.72T (Ref # 92025A)	92025-1073	AR
SHIM,1.74T (Ref # 92025B)	92025-1074	AR
SHIM,1.76T (Ref # 92025C)	92025-1075	AR
SHIM,1.78T (Ref # 92025D)	92025-1076	AR
SHIM,1.80T (Ref # 92025E)	92025-1077	AR
SHIM,0.15T (Ref # 92025F)	92025-1078	AR
SHIM,0.50T (Ref # 92025G)	92025-1079	AR
SHIM,0.60T (Ref # 92025H)	92025-1080	AR
SHIM,0.70T (Ref # 92025I)	92025-1081	AR
SHIM,0.80T (Ref # 92025J)	92025-1082	AR
SHIM,0.90T (Ref # 92025K)	92025-1083	AR
SHIM,1.00T (Ref # 92025L)	92025-1084	AR
SHIM,1.20T (Ref # 92025M)	92025-1085	AR

# 1982 Spectre PARTS LIST

## FRONT BEVEL GEARS

ITEM NAME	PART NUMBER	QUANTITY
SHIM,0.10T (Ref # 92025N)	92025-1115	AR
COLLAR,L=22.8M/M (Ref # 92027)	92027-1152	AR
COLLAR,L=22.9M/M (Ref # 92027A)	92027-1153	AR
COLLAR,L=23.0M/M (Ref # 92027B)	92027-1154	AR
COLLAR,L=23.1M/M (Ref # 92027C)	92027-1155	AR
COLLAR,L=23.2M/M (Ref # 92027D)	92027-1156	AR
COLLAR,L=23.3M/M (Ref # 92027E)	92027-1157	AR
COLLAR,L=23.4M/M (Ref # 92027F)	92027-1158	AR
COLLAR,L=23.5M/M (Ref # 92027G)	92027-1159	AR
COLLAR,L=23.6M/M (Ref # 92027H)	92027-1160	AR
COLLAR,L=23.7M/M (Ref # 92027I)	92027-1161	AR
COLLAR,L=23.8M/M (Ref # 92027J)	92027-1162	AR
COLLAR,L=23.9M/M (Ref # 92027K)	92027-1163	AR
COLLAR,L=24.0M/M (Ref # 92027L)	92027-1164	AR
COLLAR,L=24.1M/M (Ref # 92027M)	92027-1165	AR
BRG,N,7E-HK1412 (Ref # 92046)	92046-037	1
OIL SEAL SB12205 (Ref # 92049)	92049-004	1
OIL SEAL,TC14244.8 (Ref # 92049A)	92049-1037	1
OIL SEAL,TC35527 (Ref # 920498)	92049-1038	1
"0" RING,65MM (Ref # 92055)	671B2565	2
"0" RING,I.D=18.64MM (Ref # 92055A)	92055-1044	1
SPRING,CAM DAMPER (Ref # 92081)	92081-1117	1
BEARING (Ref # 92116)	92116-1003	2
BRG,ROLLER,4T-30305 (Ref # 92116A)	92116-1006	1
BOLT,SOCKET,8X30 (Ref # 120)	120P0830	8
BOLT-FLANGED,6X100 (Ref # 130)	130G06100	1
BOLT-FLANGED,6X115 (Ref # 130A)	130G06115	3
BOLT,FLANGED,6X55 (Ref # 130B)	130G0655	3
BOLT-FLANGED,6X70 (Ref # 130C)	130G0670	2

# 1982 Spectre PARTS LIST

## FRONT BEVEL GEARS

ITEM NAME	PART NUMBER	QUANTITY
BOLT-FLANGED,6X95 (Ref # 130D)	130G0695	2