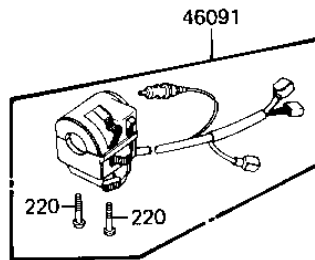
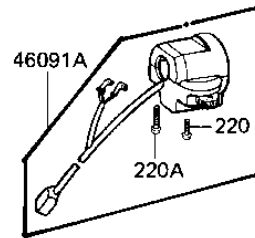
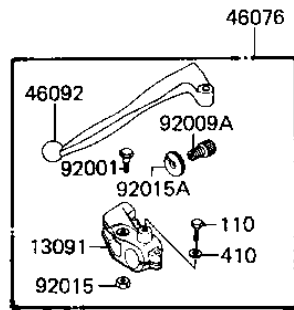
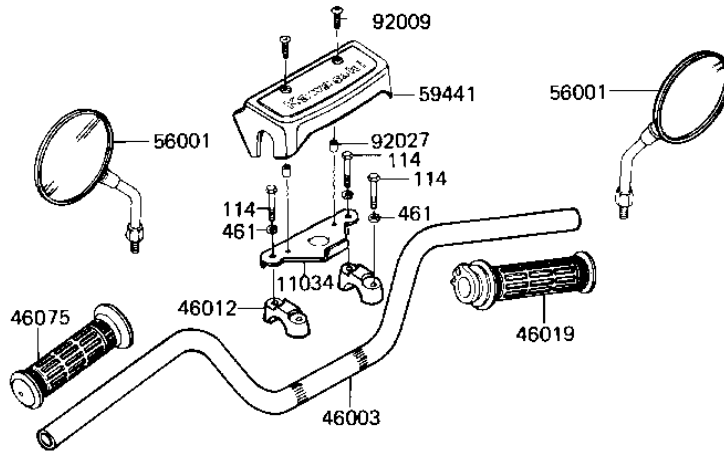


# 1983 Spectre PARTS DIAGRAM

HANDLEBAR (KZ1100-D1)

F2310-0126



# 1983 Spectre PARTS LIST

HANDLEBAR (KZ1100-D1)

ITEM NAME	PART NUMBER	QUANTITY
BRACKET,HANDLE COVER (Ref # 11034)	11034-1899	1
HOLDER,CLUTCH LEVER (Ref # 13091)	13091-1046	1
HANDLEBAR (Ref # 46003)	46003-1096	1
HOLDER-HANDLE (Ref # 46012)	46012-1011	2
GRIP-ASSY,THROTTLE (Ref # 46019)	46019-1015	1
GRIP,LH (Ref # 46075)	46075-1022	1
LEVER-ASSY-GRIP,CLUTC (Ref # 46076)	46076-1026	1
HOUSING-ASSY-CNTRL,LH (Ref # 46091)	46091-1183	1
HOUSING-ASSY-CNTRL,RH (Ref # 46091A)	46091-1201	1
LEVER-GRIP,CLUTCH (Ref # 46092)	46092-1024	1
MIRROR-ASSY (Ref # 56001)	56001-1340	2
COVER-HANDLE (Ref # 59441)	59441-1003	1
BOLT,CLUTCH LEVER,BLA (Ref # 92001)	92001-1548	1
SCREW,4X16 (Ref # 92009)	92009-1108	2
SCREW,CABLE ADJUST,8 (Ref # 92009A)	92009-1134	1
NUT,LOCK,6MM,BLACK (Ref # 92015)	92015-1191	1
NUT,CABLE ADJUST LOCK (Ref # 92015A)	92015-1197	1
COLLAR,4.5X6.5X9.3 (Ref # 92027)	92027-1313	2
BOLT,6X22,BLACK (Ref # 110)	110C0622	1
BOLT,SMALL UPSET (Ref # 114)	115G0835	4
SCREW-PAN-CROS (Ref # 220)	220B0535	3
SCREW-PAN-CROS (Ref # 220A)	220B0540	1
WASHER PLAIN (Ref # 410)	410F0600	1
WASHER SPRING 8MM (Ref # 461)	461F0800	4