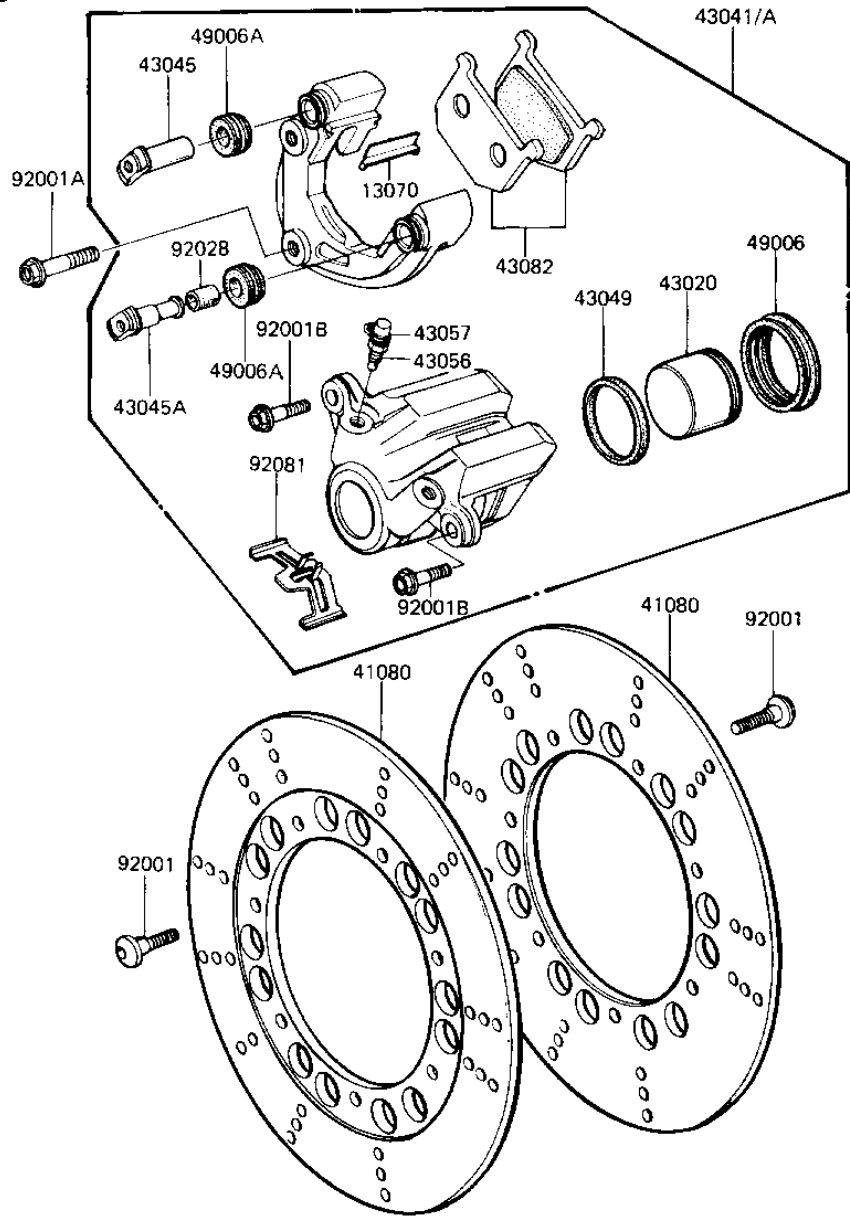


# 1983 Spectre PARTS DIAGRAM

## FRONT BRAKE

F2292-0025



# 1983 Spectre PARTS LIST

## FRONT BRAKE

ITEM NAME	PART NUMBER	QUANTITY
GUIDE,PAD (Ref # 13070)	13070-1026	4
DISC,FR,SILVER (Ref # 41080)	41080-1127	2
PISTON-COMP-BRAKE (Ref # 43020)	43020-1096	2
CALIPER-ASSY,FRONT-LH (Ref # 43041)	43041-1062	1
CALIPER-ASSY,FRONT-RH (Ref # 43041A)	43041-1063	1
SHAFT,CALIPER (Ref # 43045)	43045-1007	2
SHAFT,CALIPER (Ref # 43045A)	43045-1008	2
RING,PISTON SEAL (Ref # 43049)	43049-002	2
BREEDER (Ref # 43056)	43056-003	2
CAP,BREEDER (Ref # 43057)	43057-003	2
PAD-ASSY,FR (Ref # 43082)	43082-1021	2
DUST SEAL,PISTON (Ref # 49006)	49006-1043	2
DUST SEAL (Ref # 49006A)	49006-1044	4
BOLT,SOCKET,8X30 (Ref # 92001)	92001-1951	14
BOLT,FLANGED,10X41 (Ref # 92001A)	92001-1355	4
BOLT,FLANGED,8X25,BLA (Ref # 92001B)	92001-1510	4
BUSHING,SHAFT CALIPER (Ref # 92028)	92028-1090	2
SPRING,PAD (Ref # 92081)	92081-1229	2