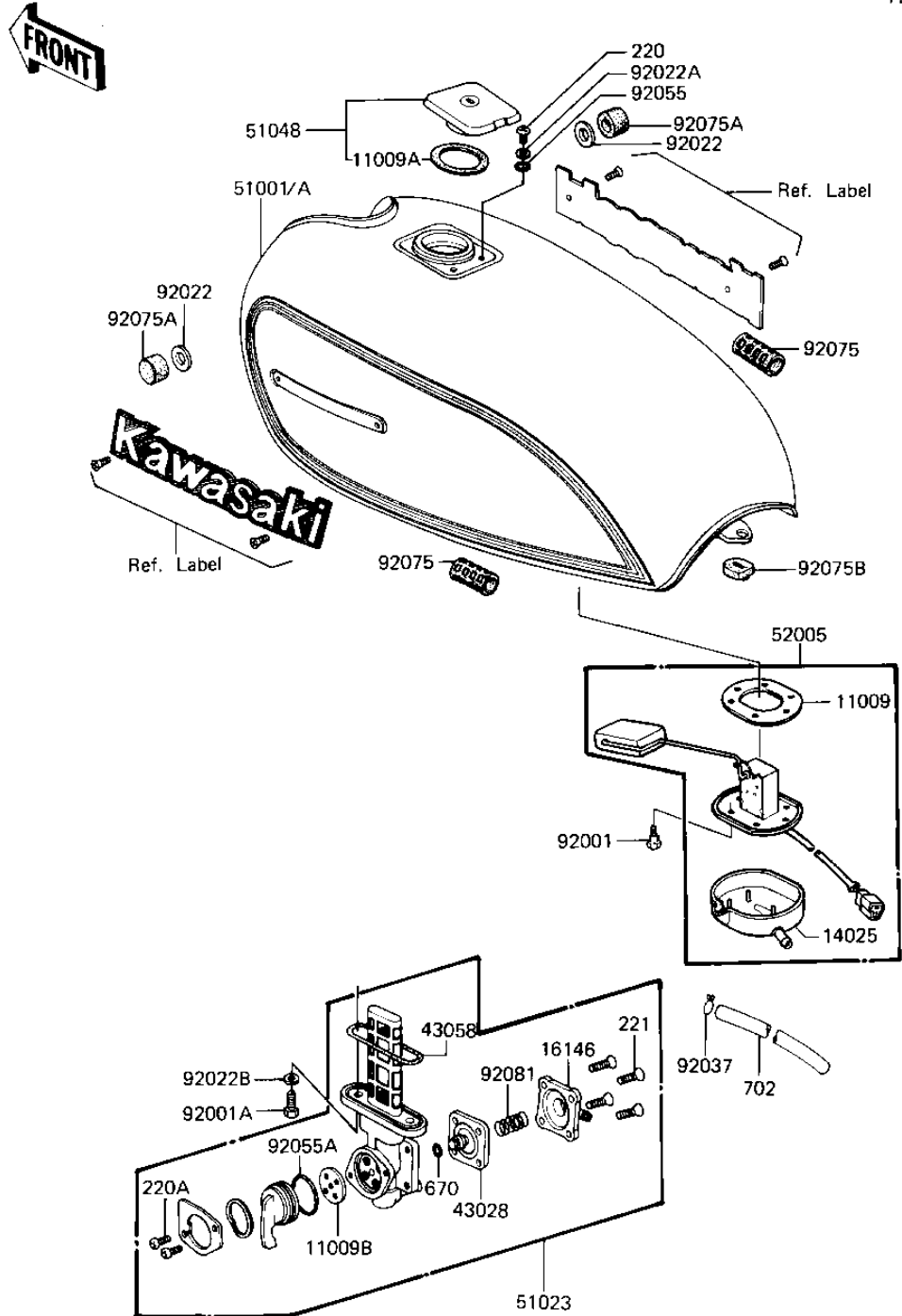


# 1982 Spectre PARTS DIAGRAM

## FUEL TANK

F2410-0132



# 1982 Spectre PARTS LIST

## FUEL TANK

ITEM NAME	PART NUMBER	QUANTITY
GASKET (Ref # 11009)	11009-1037	1
GASKET,FUEL TANK CAP (Ref # 11009A)	11009-1051	1
GASKET,TAP VALVE (Ref # 11009B)	11009-1194	1
COVER,FUEL GAUGE (Ref # 14025)	14024-1434	1
COVER ASSY,TAP (Ref # 16146)	16146-1005	1
DIAPHRAGM ASSY,TAP (Ref # 43028)	43028-1015	1
"O" RING (Ref # 43058)	51039-010	1
TANK-FUEL,EBONY (Ref # 51001)	51001-1084-F7	1
TAP-ASSY,FUEL (Ref # 51023)	51023-1039	1
CAP-ASSY-TANK,FUEL (Ref # 51048)	51048-1015	1
GAUGE,FUEL (Ref # 52005)	52005-1027	1
BOLT,FUEL GAUGE FIT (Ref # 92001)	92001-1069	6
BOLT,6X20,FUEL TAP (Ref # 92001A)	92001-1091	2
WASHER-PL-10.5X26X2.3 (Ref # 92022)	92022-044	2
WASHER,PLAIN (Ref # 92022A)	92022-1038	2
WASHER-PLAIN (Ref # 92022B)	92022-183	2
CLAMP,CHAIN OILER (Ref # 92037)	92037-147	1
"O" RING (Ref # 92055)	92055-1023	2
"O" RING,TAP LEVER (Ref # 92055A)	92055-1027	1
DAMPER RUBBER (Ref # 92075)	92075-084	2
DAMPER RUBBER,FL TANK (Ref # 92075A)	92075-125	2
DAMPER RUBBER FUEL TA (Ref # 92075B)	92075-295	1
SPRING,TAP (Ref # 92081)	92081-1171	1
SCREW PAN HEAD 5X10 (Ref # 220)	220B0510	2
UNAVAILABLE IN PRICE BOOK (Ref # 220A)	22000308A	2
SCREW-CSK-CROS,4X14 (Ref # 221)	221B0414	4
"O" RING,4MM (Ref # 670)	670B1504	1
TUBE,RUBBER,7X780 (Ref # 702)	702A07780	1