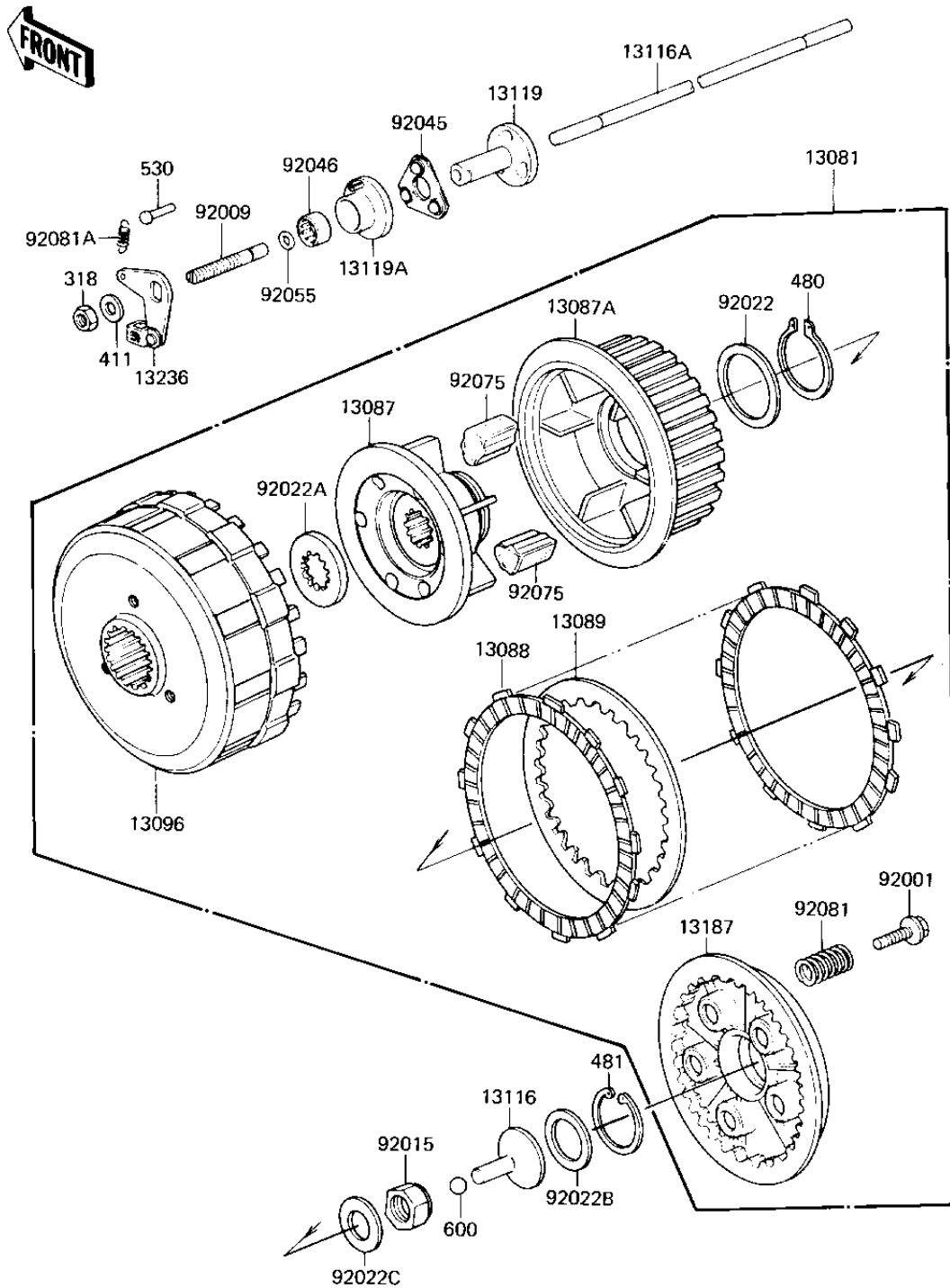


1982 KZ1300-A4 PARTS DIAGRAM

CLUTCH

E1350-0046



1982 KZ1300-A4 PARTS LIST

CLUTCH

ITEM NAME	PART NUMBER	QUANTITY
CLUTCH-ASSY (Ref # 13081)	13081-1076	1
HUB,CLUTCH,INNER (Ref # 13087)	13087-1006	1
HUB-CLUTCH (Ref # 13087A)	13087-1019	1
PLATE,FRICITION (Ref # 13088)	13088-1004	7
PLATE,CLUTCH,STEEL (Ref # 13089)	13089-1003	12
HOUSING,CLUTCH (Ref # 13096)	13096-1007	1
PUSHER,CLUTCH SPRG PL (Ref # 13116)	13116-022	1
ROD,PUSH,CLUTCH,8X328 (Ref # 13116A)	13116-1013	1
CAM,RELEASE,INNER (Ref # 13119)	13119-1005	1
CAM,RELEASE,OUTER (Ref # 13119A)	13119-1006	1
PLATE-CLUTCH OPERATIN (Ref # 13187)	13187-1010	1
LEVER,CLUTCH RELEASE (Ref # 13236)	13236-1008	1
BOLT,CLUTCH SPR FITT (Ref # 92001)	92001-1066	5
SCREW,SLOTTED,8M/M (Ref # 92009)	92009-1038	1
NUT,20M/M,CLUTCH HUB (Ref # 92015)	92015-1054	1
WASHER,50.3X60X1.0 (Ref # 92022)	92022-1081	1
WASHER,SPLINED (Ref # 92022A)	92022-1082	1
WASHER,30X44.7X3.2 (Ref # 92022B)	92022-1097	1
WASHER (Ref # 92022C)	92125-002	1
BALL ASSY,CLUTCH RELE (Ref # 92045)	92045-1014	1
BEARING,N,TLA1412 (Ref # 92046)	92046-1013	1
"O" RING,5MM (Ref # 92055)	670B1505	1
DAMPER,CLUTCH (Ref # 92075)	92075-1088	12
SPRING,CLUTCH (Ref # 92081)	92081-1149	5
SPRING GEAR CHNG LEV (Ref # 92081A)	92083-011	1
NUT 8MM (Ref # 318)	318B0800	1
WASHER PLAIN 8MM (Ref # 411)	411B0800	1
CIRCLIP,50MM (Ref # 480)	480J5000	1
CIRCLIP,45MM (Ref # 481)	481J4500	1

1982 KZ1300-A4 PARTS LIST

CLUTCH

ITEM NAME	PART NUMBER	QUANTITY
RIVET,ROUND,4X20 (Ref # 530)	530C0420	1
BALL STEEL 3/8' (Ref # 600)	600A1200	1