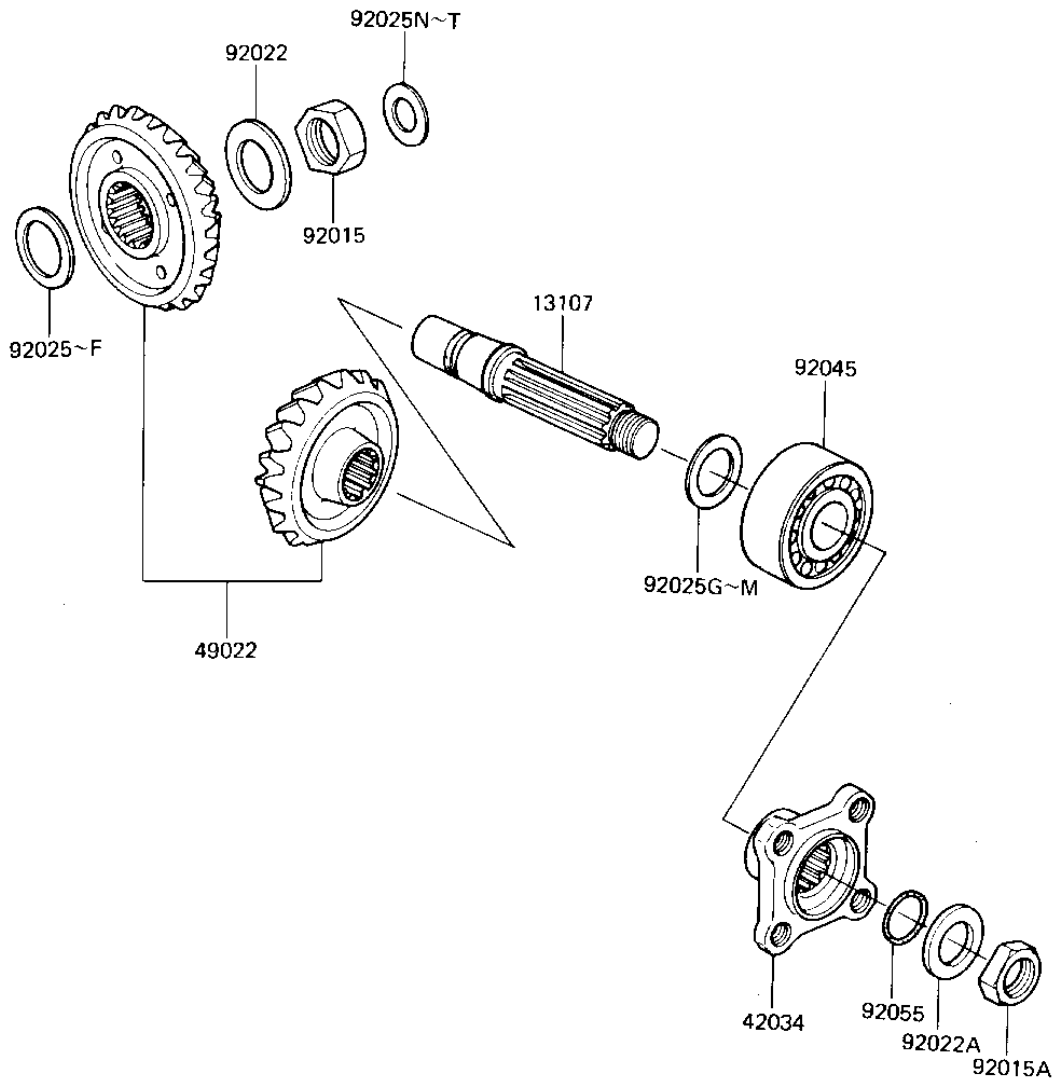


# 1982 KZ1300-A4 PARTS DIAGRAM

## FRONT BEVEL GEARS

E3131-0004



# 1982 KZ1300-A4 PARTS LIST

## FRONT BEVEL GEARS

ITEM NAME	PART NUMBER	QUANTITY
SHAFT,BEVEL GEAR (Ref # 13107)	13107-1029	1
COUPLING,OUTPUT SHAFT (Ref # 42034)	42034-1010	1
GEAR-BEVEL (Ref # 49022)	49022-5001	1
NUT,24M/M (Ref # 92015)	92015-1057	1
NUT 20MM (Ref # 92015A)	92016-028	1
WASHER,24M/M,CANICAL (Ref # 92022)	92022-1104	1
WASHER,PLAIN,2.3X20.3 (Ref # 92022A)	92022-1116	1
SHIM,30.3X40X0.6 (Ref # 92025)	92025-1006	AR
SHIM,30.3X40X0.9 (Ref # 92025A)	92025-1007	AR
SHIM,30.3X40X1.2 (Ref # 92025B)	92025-1008	AR
SHIM,30.3X40X0.1 (Ref # 92025C)	92025-1009	AR
SHIM,30.3X40X0.15 (Ref # 92025D)	92025-1010	AR
SHIM,30.3X40X0.2 (Ref # 92025E)	92025-1011	AR
SHIM,30.3X40X0.3 (Ref # 92025F)	92025-1012	AR
SHIM,25.3X36X0.6 (Ref # 92025G)	92025-1013	AR
SHIM,25.3X36X0.9 (Ref # 92025H)	92025-1014	AR
SHIM,25.3X36X1.2 (Ref # 92025I)	92025-1696	AR
SHIM,25.3X36X0.1 (Ref # 92025J)	92025-1016	AR
SHIM,25.3X36X0.15 (Ref # 92025K)	92025-1017	AR
SHIM,25.3X36X0.2 (Ref # 92025L)	92025-1018	AR
SHIM,25.3X36X0.3 (Ref # 92025M)	92025-1019	AR
SHIM,15.3X27.5X0.6 (Ref # 92025N)	92025-1020	AR
SHIM,15.3X27.5X0.9 (Ref # 92025O)	92025-1021	AR
SHIM,15.3X27.5X1.2 (Ref # 92025P)	92025-1022	AR
SHIM,15.3X27.5X0.1 (Ref # 92025Q)	92025-1023	AR
SHIM,15.3X27.5X0.15 (Ref # 92025R)	92025-1024	AR
SHIM,15.3X27.5X0.2 (Ref # 92025S)	92025-1025	AR
SHIM,15.3X27.5X0.3 (Ref # 92025T)	92025-1026	AR
BEARING-BALL,5305SH2C (Ref # 92045)	92045-1147	1

# 1982 KZ1300-A4 PARTS LIST

## FRONT BEVEL GEARS

ITEM NAME	PART NUMBER	QUANTITY
"0" RING,20.5MM (Ref # 92055)	92055-1029	1