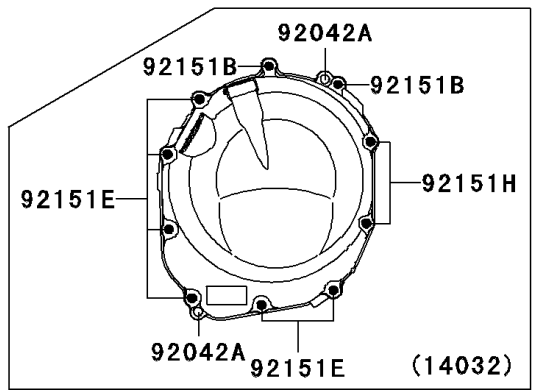
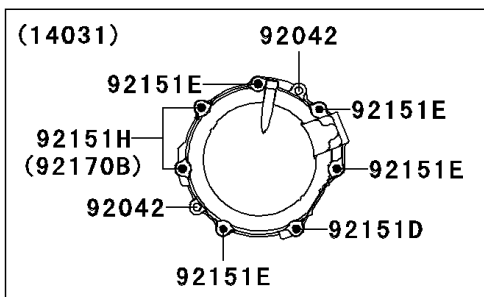
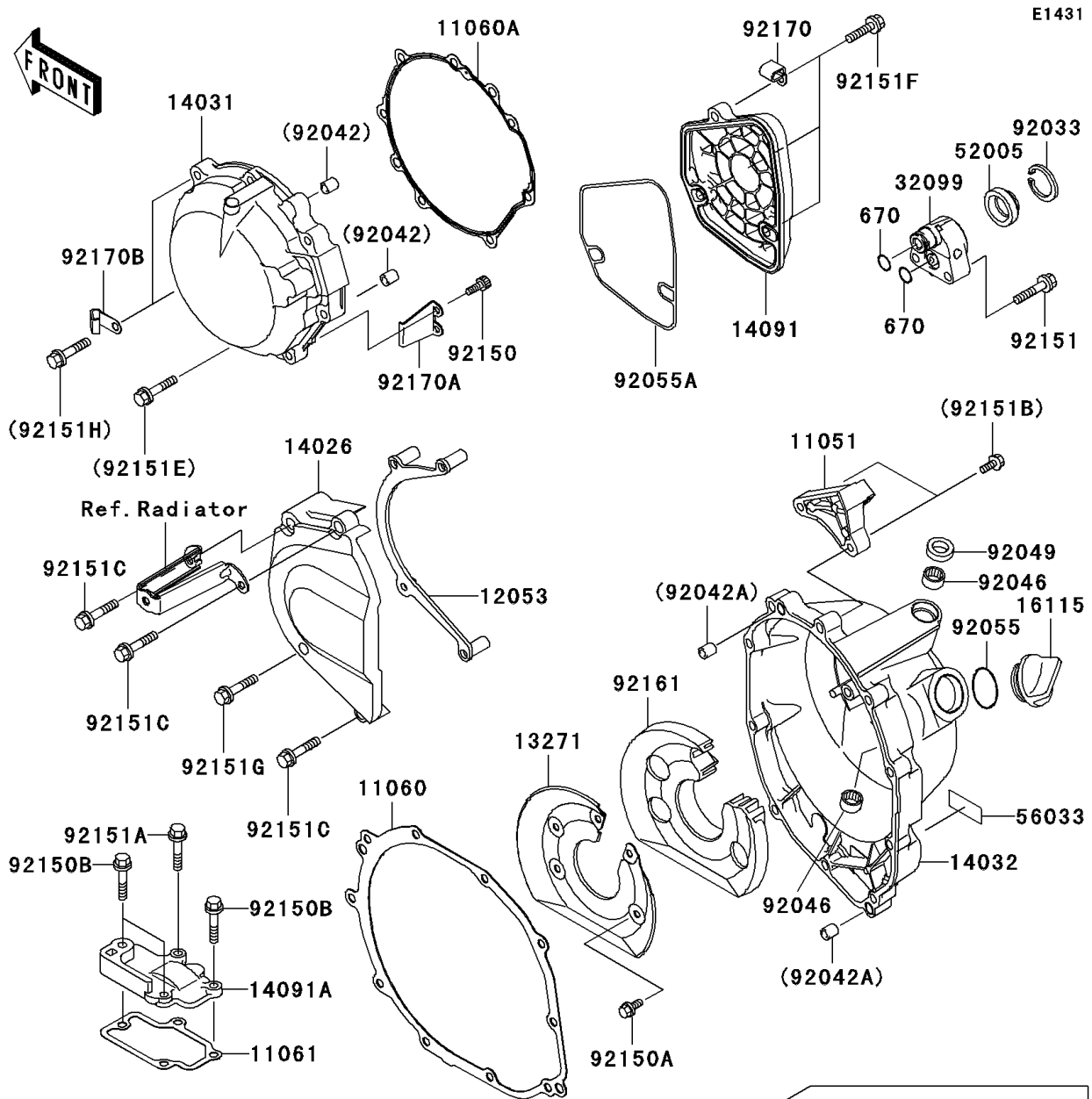


# 2001 Ninja® ZX™-12R PARTS DIAGRAM

Engine Cover(s)



## 2001 Ninja® ZX™-12R PARTS LIST

### Engine Cover(s)

ITEM NAME	PART NUMBER	QUANTITY
O RING,12MM (Ref # 670)	670D2012	2
BRACKET,CABLE (Ref # 11051)	11051-1933	1
GASKET,CLUTCH COVER (Ref # 11060)	11060-1910	1
GASKET,GENERATOR COVER (Ref # 11060A)	11060-1911	1
GASKET,BREATHER COVER (Ref # 11061)	11061-1087	1
GUIDE-CHAIN (Ref # 12053)	12053-1434	1
PLATE,SOUND ARRESTER (Ref # 13271)	13271-1229	1
COVER-CHAIN (Ref # 14026)	14026-1266	1
COVER-GENERATOR (Ref # 14031)	14031-1369	1
COVER-CLUTCH (Ref # 14032)	14032-1498	1
COVER,PULSING (Ref # 14091)	14091-1128	1
COVER,BREATHER (Ref # 14091A)	14091-1129	1
CAP-OIL FILLER (Ref # 16115)	16115-1009	1
CASE,OIL GAUGE (Ref # 32099)	32099-1213	1
GAUGE (Ref # 52005)	52005-1120	1
LABEL-MANUAL,OIL CAPACITY (Ref # 56033)	56033-1203	1
RING-SNAP (Ref # 92033)	92033-1305	1
PIN,DOWEL,6.3X8X14 (Ref # 92042)	92042-007	2
PIN,DOWEL,8X22 (Ref # 92042A)	92042-044	2
BEARING-NEEDLE,HK1210 (Ref # 92046)	92046-1010	2
SEAL-OIL,CLUTCH RELEASE (Ref # 92049)	92049-1475	1
RING-O,31.7X2.4 (Ref # 92055)	92055-049	1
RING-O (Ref # 92055A)	92055-1601	1
BOLT,SOCKET,5X14 (Ref # 92150)	92150-1180	2
BOLT,5X8 (Ref # 92150A)	92150-1406	5
BOLT,6X22 (Ref # 92150B)	92150-1846	3
BOLT,6X30 (Ref # 92151)	92151-1134	2
BOLT,6X30 (Ref # 92151A)	92151-1139	1
BOLT,6X45 (Ref # 92151B)	92151-1521	2

## 2001 Ninja® ZX™-12R PARTS LIST

### Engine Cover(s)

ITEM NAME	PART NUMBER	QUANTITY
BOLT,6X50 (Ref # 92151C)	92151-1545	3
BOLT,6X25 (Ref # 92151D)	92151-1546	1
BOLT,6X30 (Ref # 92151E)	92151-1547	10
BOLT,6X25 (Ref # 92151F)	92151-1556	3
BOLT (Ref # 92151G)	92151-1773	1
BOLT,6X30 (Ref # 92151H)	92151-1883	4
DAMPER,SOUND ARRESTER (Ref # 92161)	92161-1056	1
CLAMP (Ref # 92170)	92170-1577	1
CLAMP (Ref # 92170A)	92170-1894	1
CLAMP,HARNESS (Ref # 92170B)	92170-1900	2