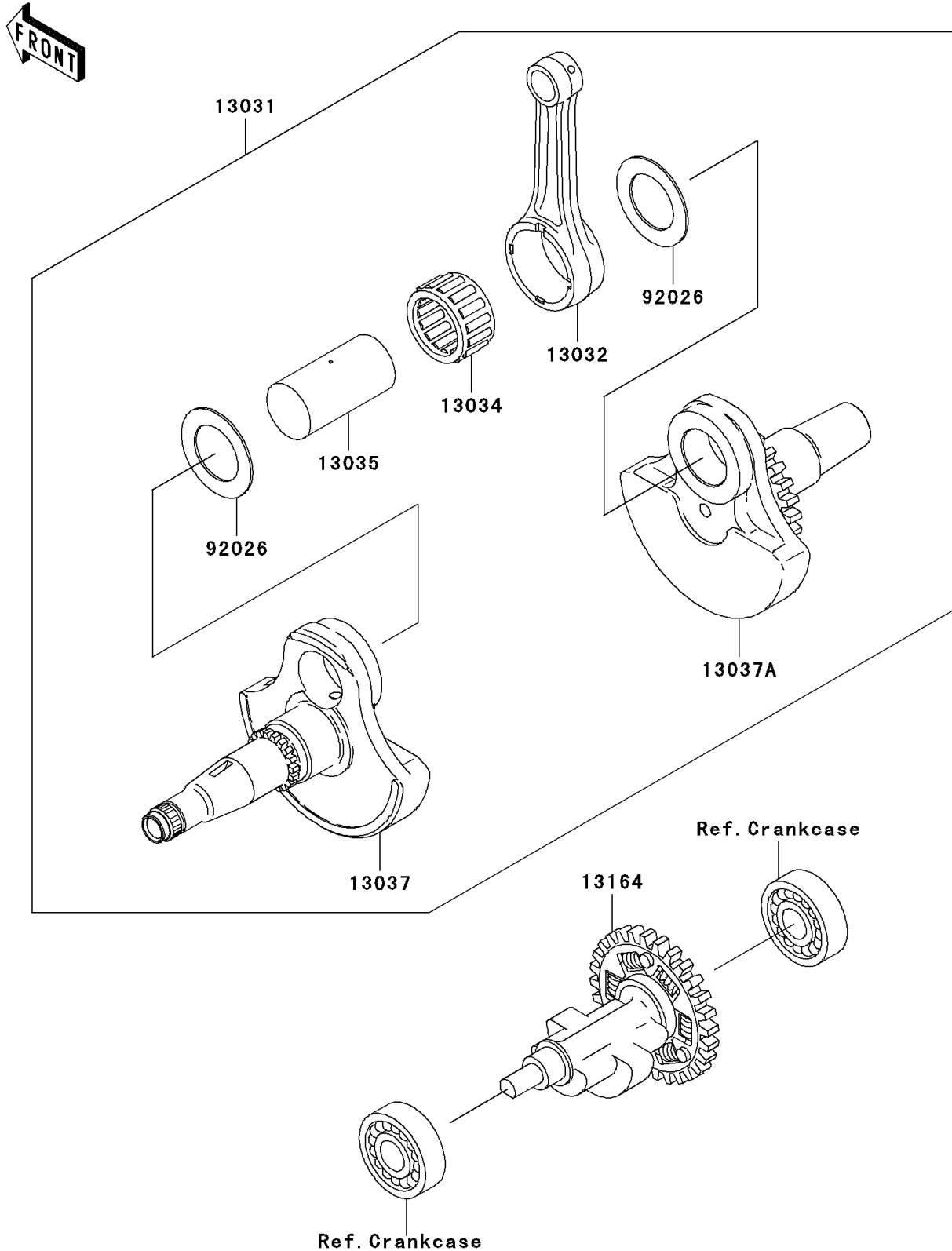


2004 Prairie 360 4X4 Hardwoods Green HD PARTS DIAGRAM

Crankshaft

E1321



2004 Prairie 360 4X4 Hardwoods Green HD PARTS LIST

Crankshaft

| ITEM NAME | PART NUMBER | QUANTITY |
|----------------------------------|-------------|----------|
| CRANKSHAFT-COMP (Ref # 13031) | 13031-1489 | 1 |
| ROD-CONNECTING,NG (Ref # 13032) | 13032-1276 | 1 |
| BEARING-BIG END,B4 (Ref # 13034) | 13034-1110 | 1 |
| PIN-CRANK,GREEN (Ref # 13035) | 13035-1091 | 1 |
| CRANKSHAFT,LH (Ref # 13037) | 13037-1644 | 1 |
| CRANKSHAFT,RH (Ref # 13037A) | 13037-1667 | 1 |
| BALANCER-COMP (Ref # 13164) | 13164-1013 | 1 |
| SPACER,34X54X1.5 (Ref # 92026) | 92026-1595 | 2 |