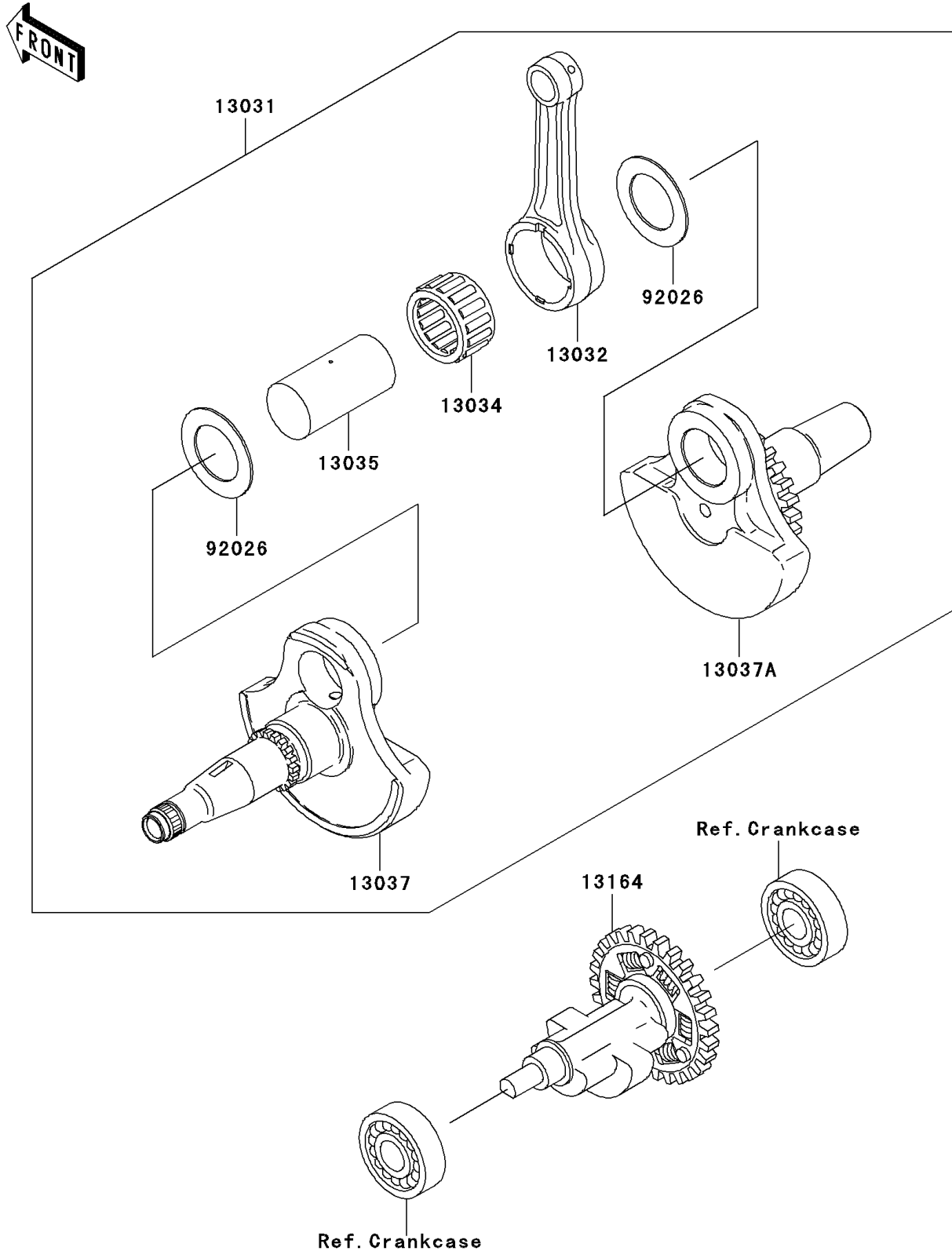


2005 Prairie 360 4X4 Hardwoods Green HD PARTS DIAGRAM

Crankshaft

E1321



2005 Prairie 360 4X4 Hardwoods Green HD PARTS LIST

Crankshaft

ITEM NAME	PART NUMBER	QUANTITY
CRANKSHAFT-COMP (Ref # 13031)	13031-1489	1
ROD-CONNECTING,NG (Ref # 13032)	13032-1276	1
BEARING-BIG END,B4 (Ref # 13034)	13034-1110	1
PIN-CRANK,GREEN (Ref # 13035)	13035-1091	1
CRANKSHAFT,LH (Ref # 13037)	13037-1644	1
CRANKSHAFT,RH (Ref # 13037A)	13037-1667	1
BALANCER-COMP (Ref # 13164)	13164-1013	1
SPACER,34X54X1.5 (Ref # 92026)	92026-1595	2