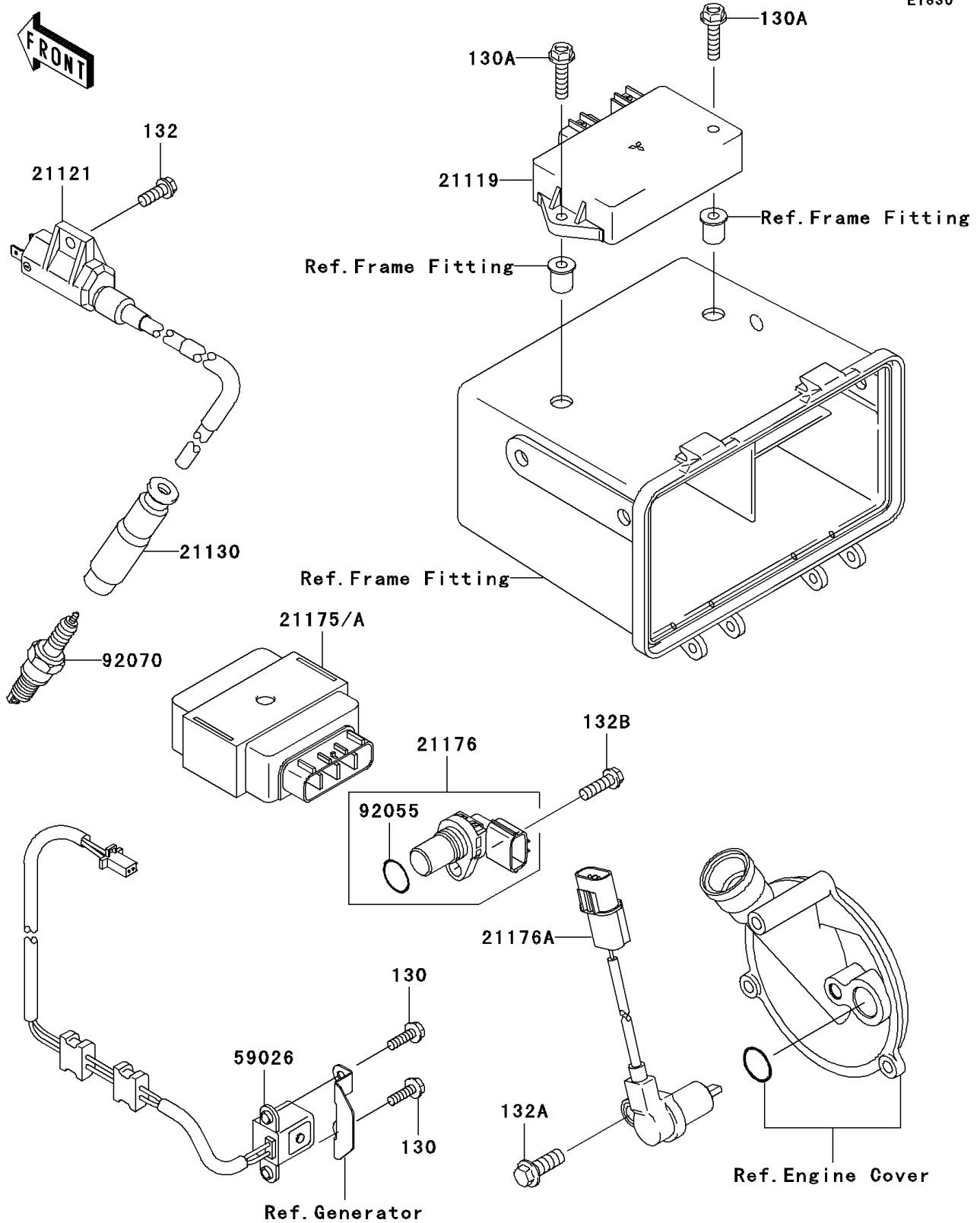


# 2003 Prairie 360 4X4 Advantage Classic PARTS DIAGRAM

Ignition System

E1830



## 2003 Prairie 360 4X4 Advantage Classic PARTS LIST

### Ignition System

ITEM NAME	PART NUMBER	QUANTITY
BOLT-FLANGED (Ref # 130)	130G0516	2
BOLT-FLANGED,6X25 (Ref # 130A)	130J0625	2
BOLT-FLANGED-SMALL (Ref # 132)	132H0616	1
BOLT-FLANGED-SMALL (Ref # 132A)	132H0822	1
BOLT-FLANGED-SMALL (Ref # 132B)	132Y0620	1
IGNITER (Ref # 21119)	21119-1627	1
COIL-IGNITION (Ref # 21121)	21121-1160	1
CAP-SPARK PLUG (Ref # 21130)	21130-1071	1
CONTROL UNIT-ELECTRONIC (Ref # 21175A)	21175-1098	1
SENSOR,SPEED (Ref # 21176)	21176-1104	1
SENSOR,REVERSE (Ref # 21176A)	21176-1109	1
COIL-PULSING (Ref # 59026)	59026-1110	1
RING-O (Ref # 92055)	92055-1718	1
PLUG-SPARK,DPR8EA-9(NGK) (Ref # 92070)	92070-1065	1