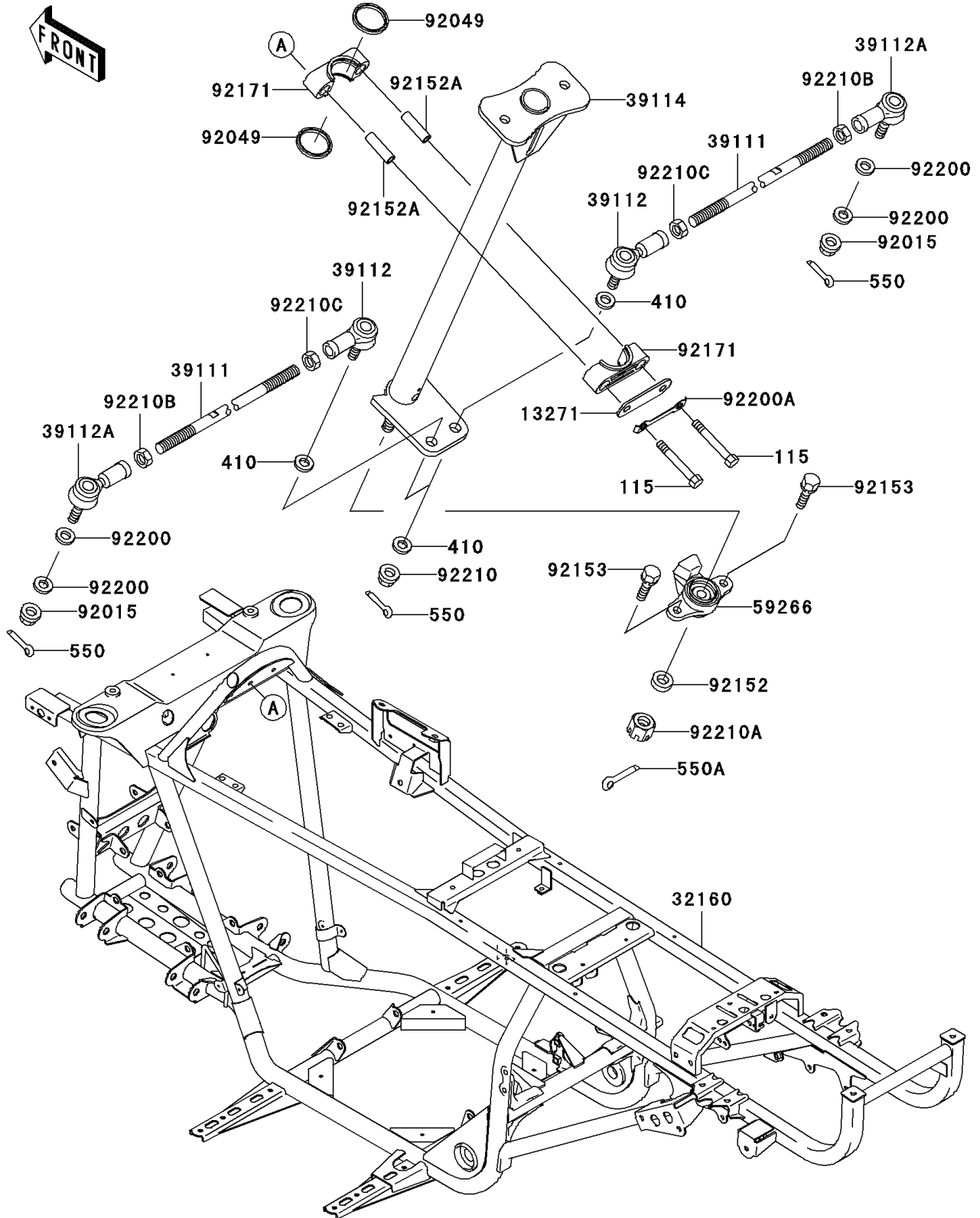


2005 Prairie 360 4X4 Hardwoods Green HD PARTS DIAGRAM

Frame

F2120



2005 Prairie 360 4X4 Hardwoods Green HD PARTS LIST

Frame

ITEM NAME	PART NUMBER	QUANTITY
BOLT-SMALL-UPSET (Ref # 115)	115S0855	2
WASHER-PLAIN-SMALL,12MM (Ref # 410)	410B1200	4
PIN-COTTER,2.0X15 (Ref # 550)	550D2015	4
PIN-COTTER,3.0X25 (Ref # 550A)	550D3025	1
PLATE,STEERING,CLAMP (Ref # 13271)	13271-7506	1
FRAME-COMP (Ref # 32160)	32160-7501	1
ROD-TIE (Ref # 39111)	39111-7501	2
RODEND-TIE (Ref # 39112)	39112-7501	2
RODEND-TIE (Ref # 39112A)	39112-7504	2
SHAFT-COMP-STRG (Ref # 39114)	39114-7502	1
JOINT-BALL (Ref # 59266)	59266-1125	1
NUT,LOCK,12MM,BLACK (Ref # 92015)	92015-1190	2
SEAL-OIL,SR31.8X37.5X3.8LR (Ref # 92049)	92049-7501	2
COLLAR,12X21.3X7 (Ref # 92152)	92152-1351	1
COLLAR,9.1X13.95X42 (Ref # 92152A)	92152-7501	2
BOLT,8X30 (Ref # 92153)	92153-1065	2
CLAMP,STEERING (Ref # 92171)	92171-7501	2
WASHER,12.2X22X1.5 (Ref # 92200)	92200-7502	4
WASHER,STEERING CLAMP (Ref # 92200A)	92200-7503	1
NUT,LOCK,12MM (Ref # 92210)	92210-1249	2
NUT,12MM (Ref # 92210A)	92210-7501	1
NUT,LH THREAD (Ref # 92210B)	92210-7502	2
NUT,RH THREAD (Ref # 92210C)	92210-7503	2