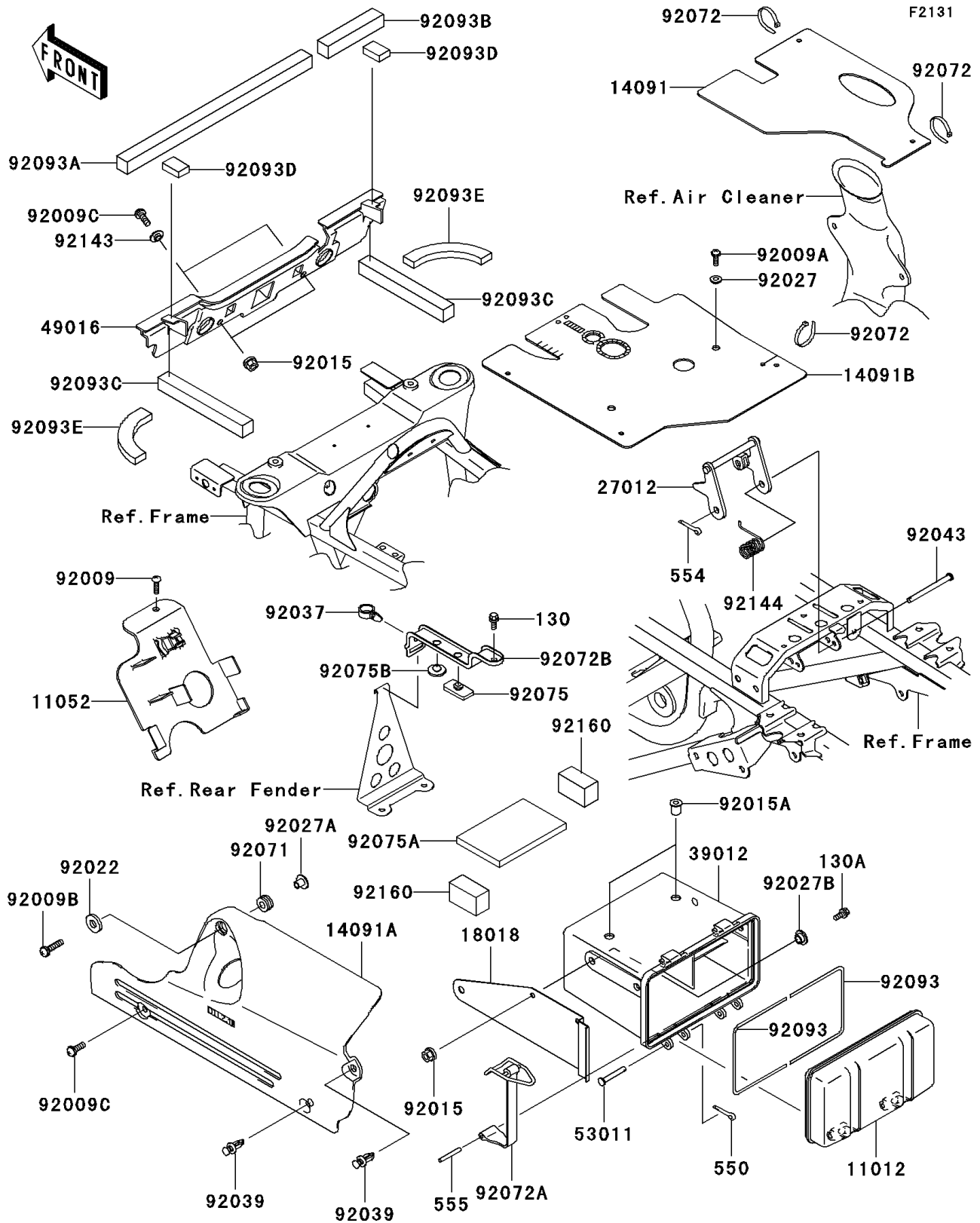


2005 Prairie 360 4X4 Hardwoods Green HD PARTS DIAGRAM

Frame Fittings



2005 Prairie 360 4X4 Hardwoods Green HD PARTS LIST

Frame Fittings

| ITEM NAME | PART NUMBER | QUANTITY |
|--|---------------|----------|
| BOLT-FLANGED,6X14,BLACK (Ref # 130) | 130J0614 | 1 |
| CAP,STORAGE CASE (Ref # 11012) | 11012-1951 | 1 |
| BRACKET,ELECTRIC BASE (Ref # 11052) | 11052-7529 | 1 |
| COVER,CARBURETOR (Ref # 14091) | 14091-7516 | 1 |
| COVER,ENGINE,F.BLACK (Ref # 14091A) | 14091-7524-6Z | 1 |
| COVER,CYLINDER HEAD BRACKET (Ref # 14091B) | 14091-7526 | 1 |
| PLATE-HEAT GUARD (Ref # 18018) | 18018-7501 | 1 |
| HOOK,SEAT (Ref # 27012) | 27012-1381 | 1 |
| CASE-STORAGE (Ref # 39012) | 39012-7501 | 1 |
| COVER-SEAL (Ref # 49016) | 49016-1221 | 1 |
| PIN,6X39 (Ref # 53011) | 53011-006 | 2 |
| SCREW (Ref # 92009) | 92009-1166 | 1 |
| SCREW,TAPPING,5X10 (Ref # 92009A) | 92009-1332 | 2 |
| SCREW,6X25 (Ref # 92009B) | 92009-1465 | 1 |
| SCREW,6X16 (Ref # 92009C) | 92009-1621 | 3 |
| NUT,FLANGED,6MM,BLACK (Ref # 92015) | 92015-1233 | 6 |
| NUT (Ref # 92015A) | 92015-1700 | 2 |
| WASHER,7X18X1.2 (Ref # 92022) | 92022-1545 | 1 |
| COLLAR,L=4.6 (Ref # 92027) | 92027-1168 | 2 |
| COLLAR,FLANGED,L=12.1,BLACK (Ref # 92027A) | 92027-1651 | 1 |
| COLLAR,L=5.6 (Ref # 92027B) | 92027-1933 | 4 |
| CLAMP,HOSE (Ref # 92037) | 92037-1827 | 1 |
| RIVET (Ref # 92039) | 92039-1229 | 2 |
| PIN,6X77 (Ref # 92043) | 92043-1367 | 1 |
| GROMMET (Ref # 92071) | 92071-3716 | 1 |
| BAND,L=188 (Ref # 92072) | 92072-1239 | 6 |
| BAND,STORAGE CASE (Ref # 92072A) | 92072-1337 | 2 |
| BAND,BATTERY (Ref # 92072B) | 92072-7501 | 1 |
| DAMPER (Ref # 92075) | 92075-1054 | 1 |

2005 Prairie 360 4X4 Hardwoods Green HD PARTS LIST

Frame Fittings

| ITEM NAME | PART NUMBER | QUANTITY |
|--------------------------------------|-------------|----------|
| DAMPER,BATTERY (Ref # 92075A) | 92075-1997 | 1 |
| DAMPER,RUBBER (Ref # 92075B) | 92075-261 | 1 |
| SEAL (Ref # 92093) | 92093-1457 | 2 |
| SEAL (Ref # 92093A) | 92093-1577 | 1 |
| SEAL (Ref # 92093B) | 92093-1578 | 1 |
| SEAL (Ref # 92093C) | 92093-1580 | 2 |
| SEAL (Ref # 92093D) | 92093-1581 | 2 |
| SEAL (Ref # 92093E) | 92093-1582 | 2 |
| COLLAR (Ref # 92143) | 92143-1087 | 2 |
| SPRING,SEAT HOOK (Ref # 92144) | 92144-1174 | 1 |
| DAMPER (Ref # 92160) | 92160-1744 | 2 |
| BOLT-FLANGED,6X16,BLACK (Ref # 130A) | 130J0616 | 4 |
| PIN-COTTER,2.0X12 (Ref # 550) | 550D2012 | 2 |
| PIN-SNAP (Ref # 554) | 554A0600 | 1 |
| PIN-SPRING (Ref # 555) | 555A0436 | 2 |