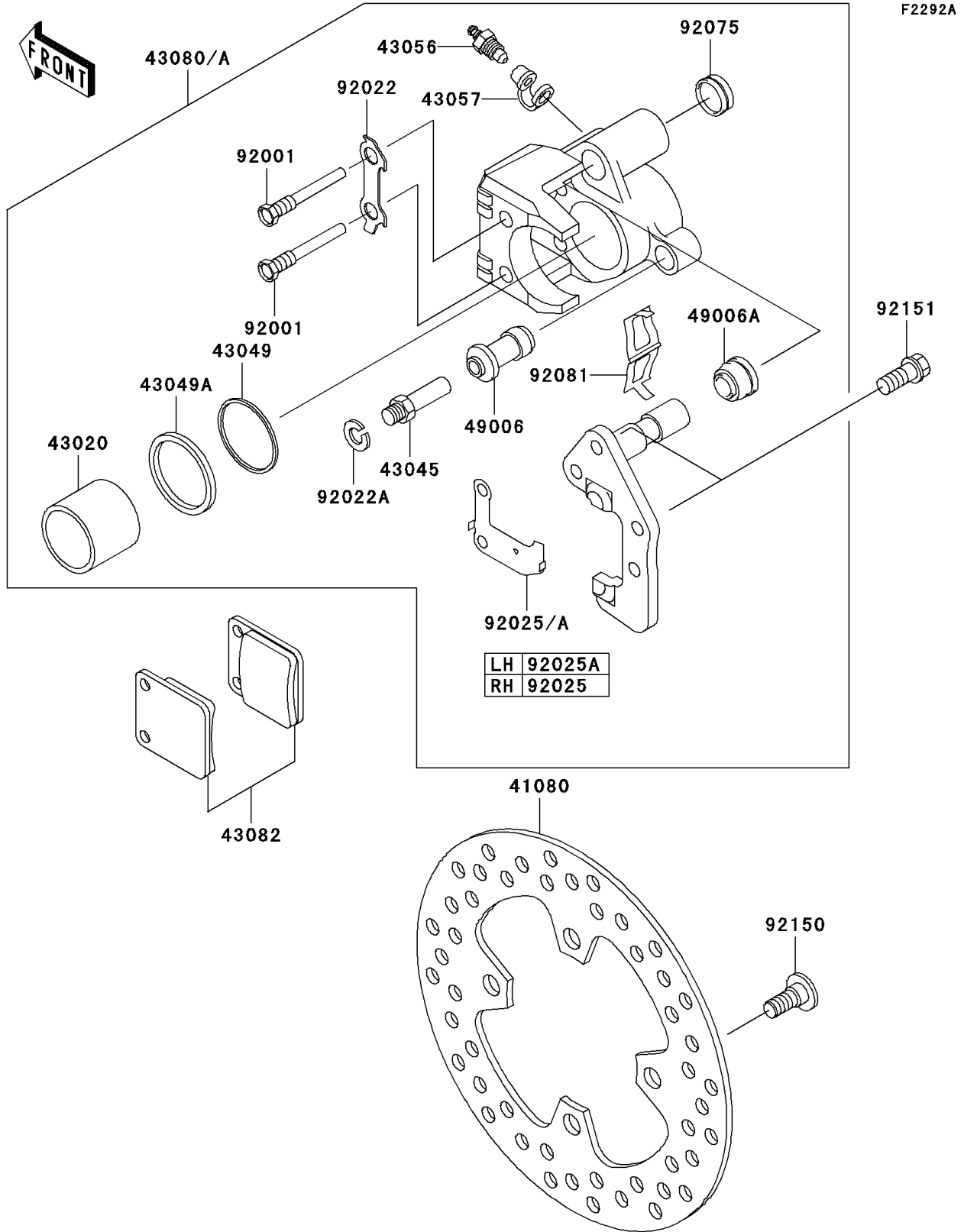


2005 Prairie 360 4X4 Hardwoods Green HD PARTS DIAGRAM

Front Brake(C2/C3)



2005 Prairie 360 4X4 Hardwoods Green HD PARTS LIST

Front Brake(C2/C3)

ITEM NAME	PART NUMBER	QUANTITY
DISC,FR (Ref # 41080)	41080-1513	2
PISTON-COMP-BRAKE (Ref # 43020)	43020-1114	2
SHAFT-CALIPER (Ref # 43045)	43045-1010	2
PACKING (Ref # 43049)	43049-1081	2
PACKING (Ref # 43049A)	43049-1082	2
BREATHER (Ref # 43056)	43056-1055	2
CAP-BREATHER (Ref # 43057)	43057-1001	2
CALIPER-SUB-ASSY,FR,LH (Ref # 43080)	43080-5135	1
CALIPER-SUB-ASSY,FR,RH (Ref # 43080A)	43080-5136	1
PAD-ASSY-BRAKE (Ref # 43082)	43082-1201	2
BOOT,CALIPER (Ref # 49006)	49006-1088	2
BOOT,CALIPER (Ref # 49006A)	49006-1089	2
BOLT,PAD HOLDER (Ref # 92001)	92001-1723	4
WASHER,LOCK (Ref # 92022)	92022-1372	2
WASHER,WAVE (Ref # 92022A)	92022-1373	2
SHIM,PAD (Ref # 92025)	92025-1344	1
SHIM,PAD (Ref # 92025A)	92025-1817	1
DAMPER (Ref # 92075)	92075-1414	2
SPRING,PAD (Ref # 92081)	92081-1502	2
BOLT,SOCKET,8X20 (Ref # 92150)	92150-1800	8
BOLT,FLANGED,8X19 (Ref # 92151)	92151-1793	4