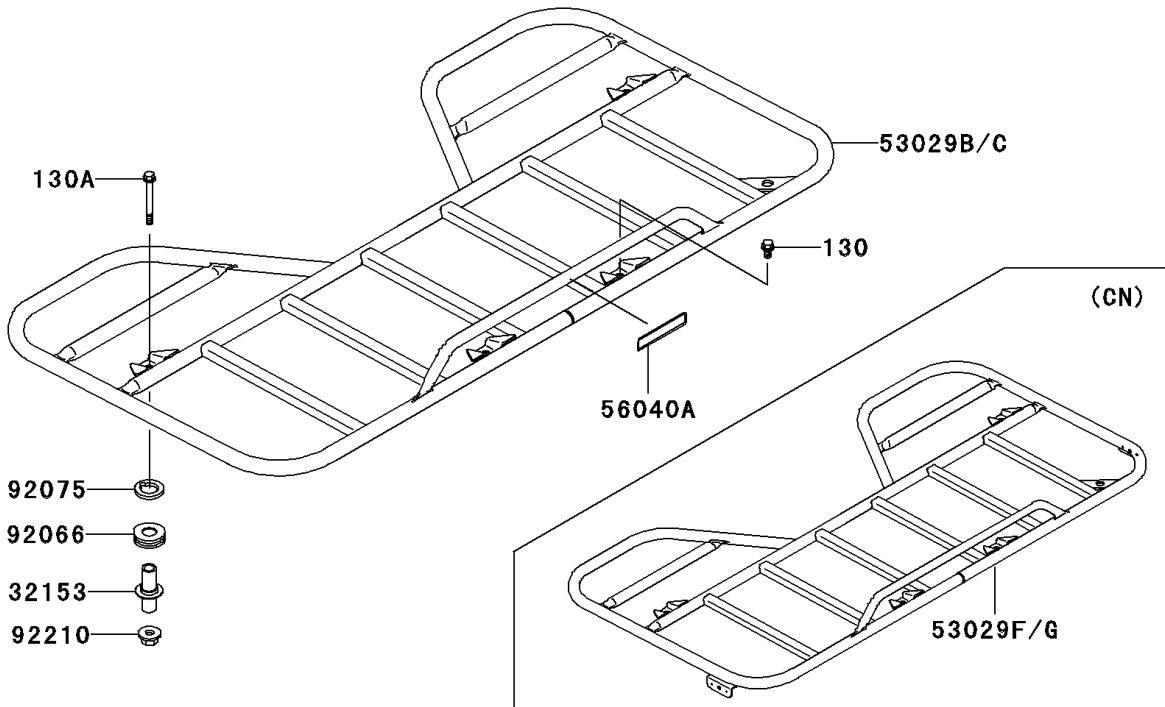
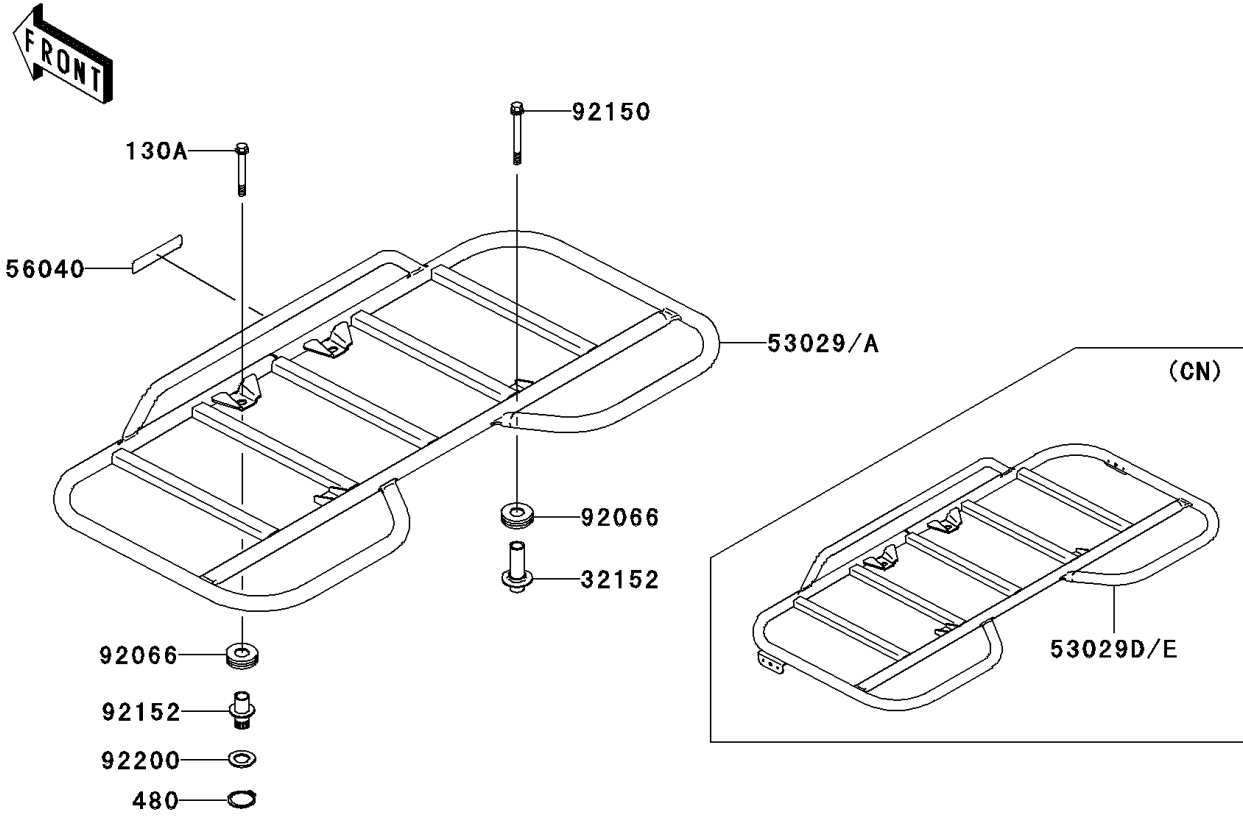


2005 Prairie 360 4X4 Hardwoods Green HD PARTS DIAGRAM

Carrier(s)

F2520



2005 Prairie 360 4X4 Hardwoods Green HD PARTS LIST

Carrier(s)

ITEM NAME	PART NUMBER	QUANTITY
BOLT-FLANGED (Ref # 130)	130S0814	2
BOLT-FLANGED (Ref # 130A)	130S0865	4
CIRCLIP-TYPE-C,17MM (Ref # 480)	480J1700	2
PIPE,FRONT CARRIER (Ref # 32152)	32152-1067	2
PIPE (Ref # 32153)	32153-7527	2
LABEL-WARNING,MAXIMUM LOAD (Ref # 56040)	56040-1321	1
LABEL-WARNING,MAXIMUM LOAD (Ref # 56040A)	56040-1322	1
PLUG (Ref # 92066)	92066-1438	6
DAMPER (Ref # 92075)	92075-1842	2
BOLT,FLANGED,8X80 (Ref # 92150)	92150-1808	2
COLLAR,L=42.5 (Ref # 92152)	92152-7504	2
WASHER,18.5X32X2.3 (Ref # 92200)	92200-1043	2
NUT,FLANGED,LOCK,8MM (Ref # 92210)	92210-0005	2
CARRIER,FR,M.GRAYSTONE (Ref # 53029A)	53029-7501-379	1
CARRIER,RR,M.GRAYSTONE (Ref # 53029C)	53029-7502-379	1
CARRIER,FR,M.GRAYSTONE (Ref # 53029E)	53029-7503-379	1
CARRIER,RR,M.GRAYSTONE (Ref # 53029G)	53029-7504-379	1