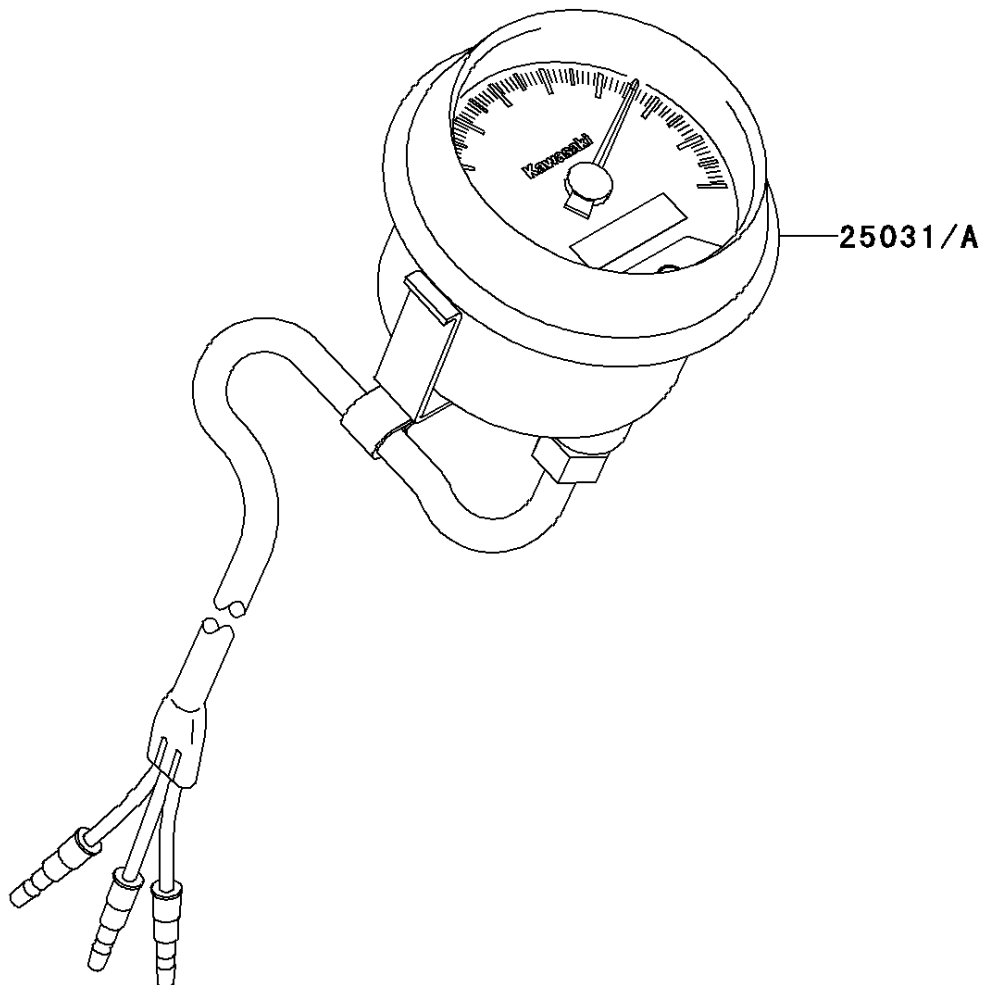


# 2005 Prairie 360 4X4 Hardwoods Green HD PARTS DIAGRAM

Meter(s)(CN)

F2530



# 2005 Prairie 360 4X4 Hardwoods Green HD PARTS LIST

Meter(s)(CN)

| ITEM NAME                     | PART NUMBER | QUANTITY |
|-------------------------------|-------------|----------|
| METER-ASSY,KPH (Ref # 25031A) | 25031-0007  | 1        |