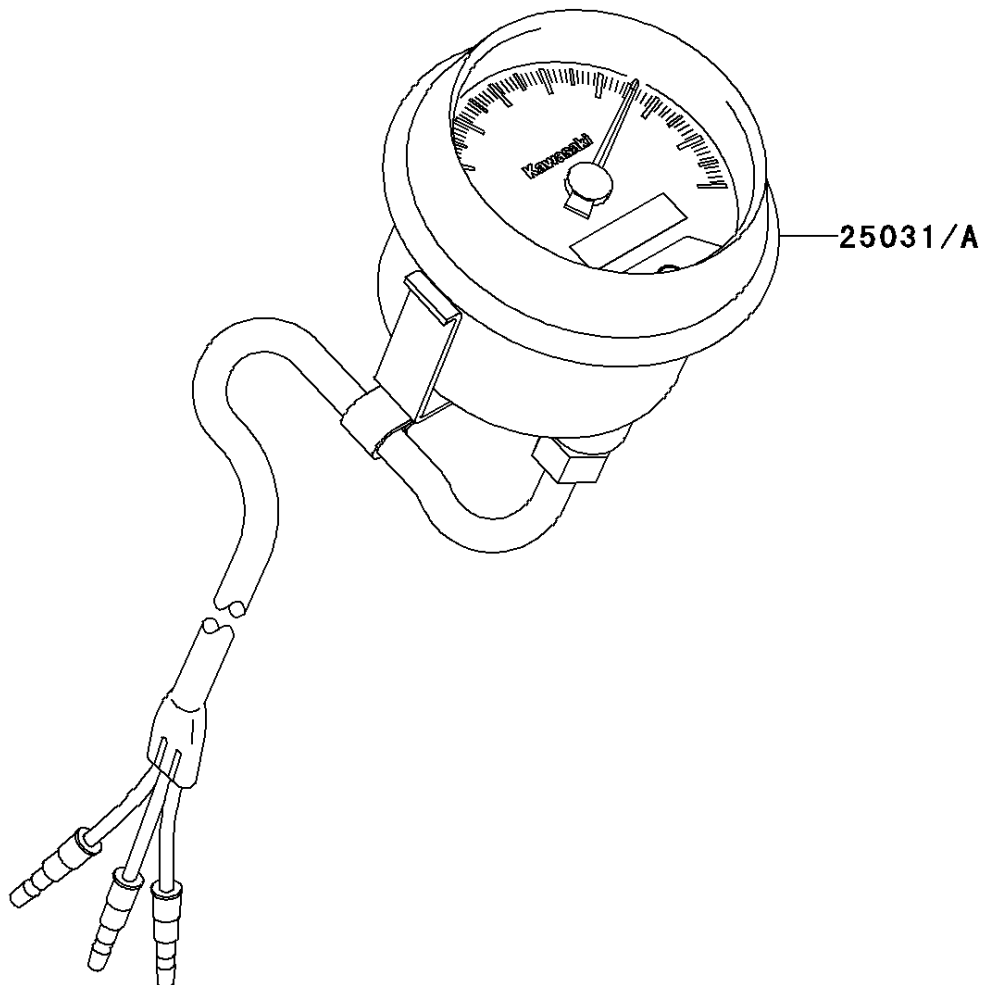


2004 Prairie 360 4X4 Hardwoods Green HD PARTS DIAGRAM

Optional Parts(US)(Meter)

F2890



2004 Prairie 360 4X4 Hardwoods Green HD PARTS LIST

Optional Parts(US)(Meter)

| ITEM NAME | PART NUMBER | QUANTITY |
|-------------------------------|-------------|----------|
| METER-ASSY,MPH (Ref # 25031A) | 25031-0008 | 1 |