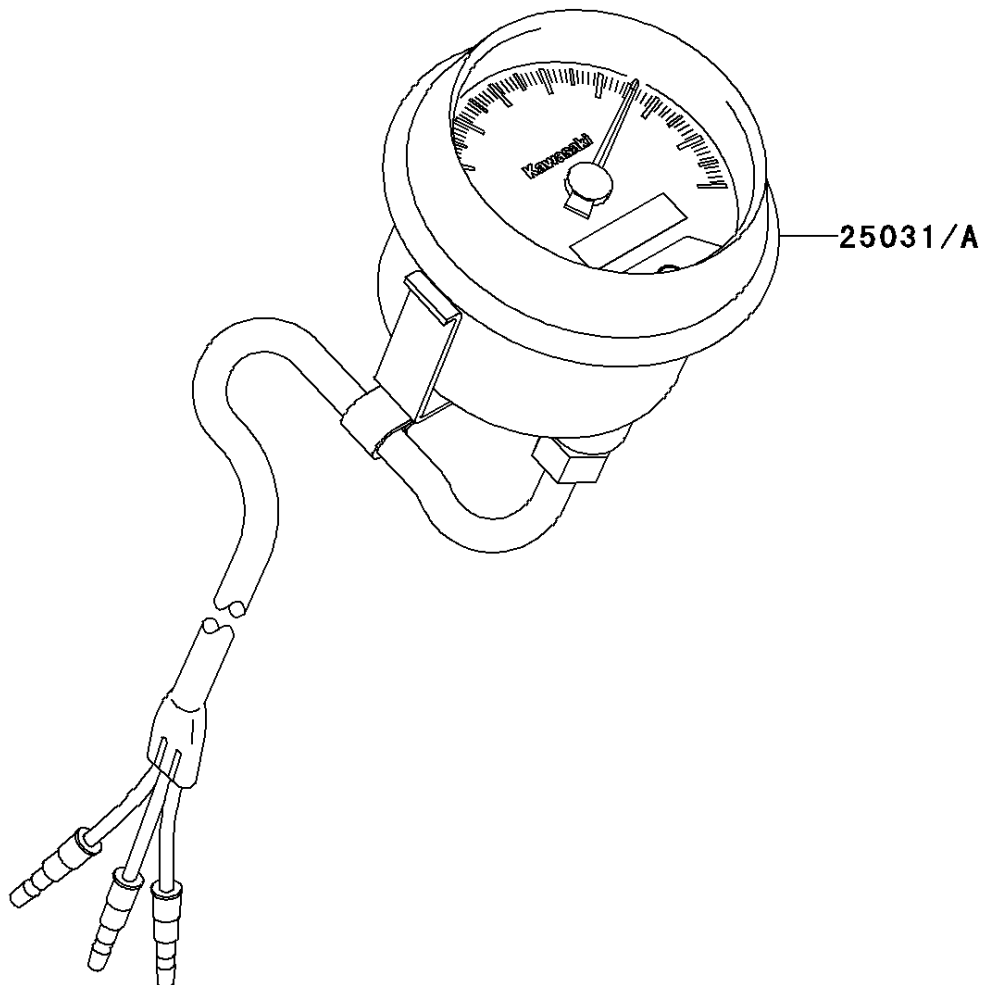


2005 Prairie 360 4X4 Hardwoods Green HD PARTS DIAGRAM

Optional Parts(US)(Meter)

F2890



2005 Prairie 360 4X4 Hardwoods Green HD PARTS LIST

Optional Parts(US)(Meter)

ITEM NAME	PART NUMBER	QUANTITY
METER-ASSY,MPH (Ref # 25031A)	25031-0008	1