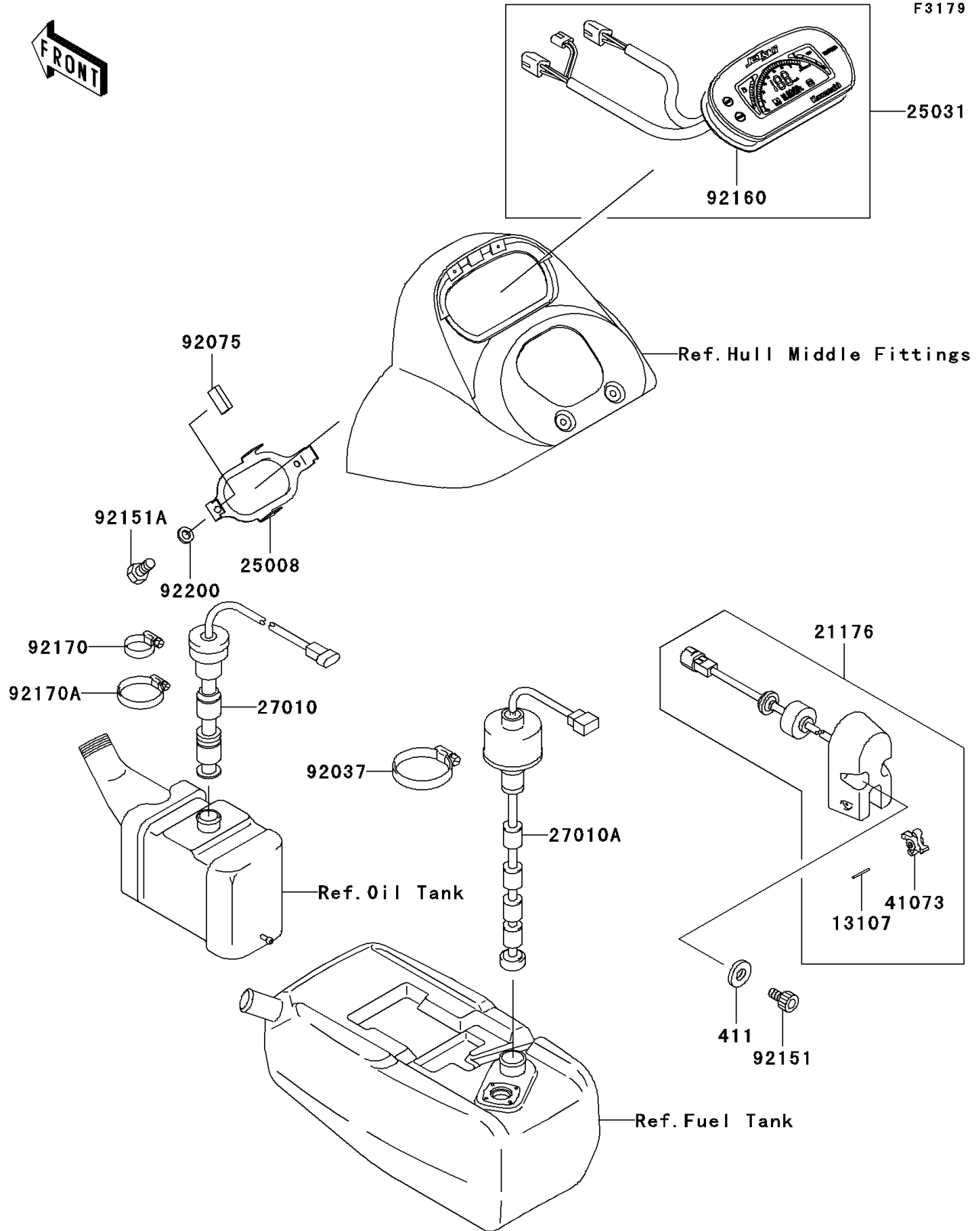


2002 1200 STX-R PARTS DIAGRAM

Meters



2002 1200 STX-R PARTS LIST

Meters

| ITEM NAME | PART NUMBER | QUANTITY |
|--|---------------|----------|
| WASHER-PLAIN,6MM (Ref # 411) | 411S0600 | 2 |
| SHAFT (Ref # 13107) | 13107-3754 | 1 |
| SENSOR,SPEEDOMETER,J.WHITE (Ref # 21176) | 21176-3753-8U | 1 |
| BRACKET-METER (Ref # 25008) | 25008-3709 | 1 |
| METER-ASSY,MILE (Ref # 25031) | 25031-3731 | 1 |
| SWITCH,OIL LEVEL (Ref # 27010) | 27010-3753 | 1 |
| SWITCH,FUEL LEVEL (Ref # 27010A) | 27010-3770 | 1 |
| WHEEL-ASSY,PADDLE (Ref # 41073) | 41073-3701 | 1 |
| CLAMP (Ref # 92037) | 92037-3009 | 1 |
| DAMPER (Ref # 92075) | 92075-1446 | 4 |
| BOLT,SOCKET,6X10 (Ref # 92151) | 92151-3704 | 2 |
| BOLT,5X10 (Ref # 92151A) | 92151-3707 | 2 |
| DAMPER,METER (Ref # 92160) | 92160-3881 | 1 |
| CLAMP (Ref # 92170) | 92170-3718 | 1 |
| CLAMP (Ref # 92170A) | 92170-3734 | 1 |
| WASHER,5.9X16X1.5 (Ref # 92200) | 92200-3714 | 2 |