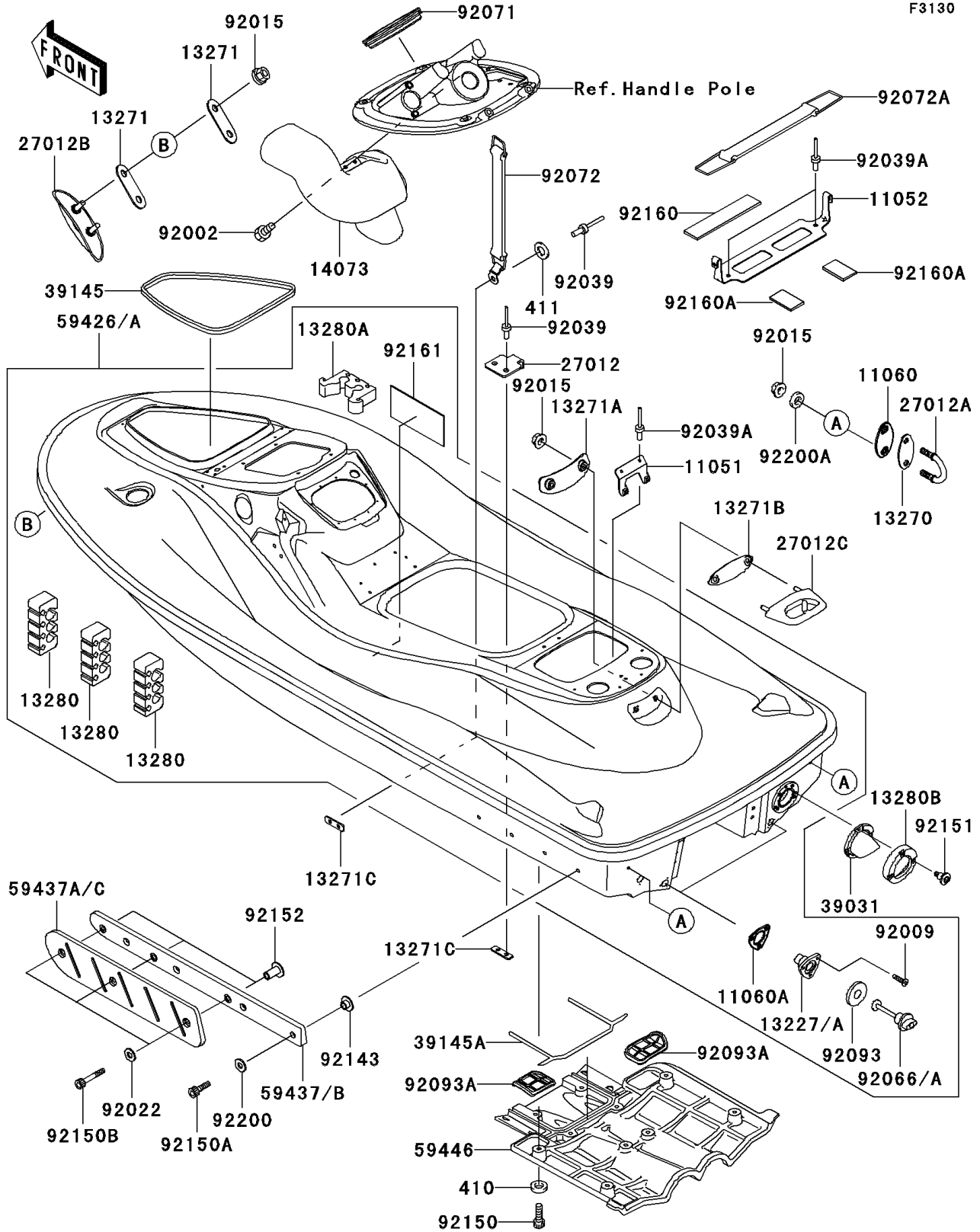


2005 1200 STX-R PARTS DIAGRAM

Hull

F3130



2005 1200 STX-R PARTS LIST

Hull

| ITEM NAME | PART NUMBER | QUANTITY |
|--|---------------|----------|
| BRACKET,BREATHER-BILGE (Ref # 11051) | 11051-3802 | 1 |
| BRACKET (Ref # 11052) | 11052-3765 | 1 |
| GASKET,U HOOK,RR (Ref # 11060) | 11060-3800 | 2 |
| GASKET,DRAIN PLUG (Ref # 11060A) | 11060-3801 | 2 |
| HOUSING,DRAIN PLUG,F.BLACK (Ref # 13227) | 13227-3721-6Z | 2 |
| PLATE (Ref # 13270) | 13270-3860 | 2 |
| PLATE (Ref # 13271) | 13271-3724 | 2 |
| PLATE,REAR TOWING HOOK (Ref # 13271A) | 13271-3859 | 1 |
| PLATE (Ref # 13271B) | 13271-3889 | 1 |
| PLATE (Ref # 13271C) | 13271-3901 | 2 |
| HOLDER (Ref # 13280) | 13280-3703 | 3 |
| HOLDER,FUEL FILTER (Ref # 13280A) | 13280-3705 | 1 |
| HOLDER,EXHAUST VALVE (Ref # 13280B) | 13280-3718 | 1 |
| DUCT (Ref # 14073) | 14073-3801 | 1 |
| HOOK (Ref # 27012) | 27012-3787 | 1 |
| HOOK (Ref # 27012A) | 27012-3797 | 2 |
| HOOK,BOW,F.BLACK (Ref # 27012B) | 27012-3822-6Z | 1 |
| HOOK,REAR TOWING,F.BLACK (Ref # 27012C) | 27012-3836-6Z | 1 |
| CAP-END (Ref # 39031) | 39031-3704 | 1 |
| TRIM-SEAL,L=1412 (Ref # 39145) | 39145-3748 | 1 |
| TRIM-SEAL,JET PUMP COVER (Ref # 39145A) | 39145-3768 | 1 |
| STABILIZER,RIGHT BASE,F.BLACK (Ref # 59437) | 59437-3725-6Z | 1 |
| STABILIZER,RIGHT WING,F.BLACK (Ref # 59437A) | 59437-3727-6Z | 1 |
| STABILIZER,LEFT BASE,F.BLACK (Ref # 59437B) | 59437-3728-6Z | 1 |
| STABILIZER,LEFT WING,F.BLACK (Ref # 59437C) | 59437-3730-6Z | 1 |
| COVER-JET PUMP (Ref # 59446) | 59446-3754 | 1 |
| BOLT,6X20 (Ref # 92002) | 92002-3755 | 2 |
| SCREW,TAPPING,4X16 (Ref # 92009) | 92009-3849 | 6 |
| NUT,FLANGED,8MM (Ref # 92015) | 92015-3709 | 8 |

2005 1200 STX-R PARTS LIST

Hull

| ITEM NAME | PART NUMBER | QUANTITY |
|---------------------------------------|----------------|----------|
| WASHER (Ref # 92022) | 92022-567 | 6 |
| RIVET (Ref # 92039) | 92039-3747 | 3 |
| RIVET (Ref # 92039A) | 92039-3755 | 4 |
| PLUG,RR,DRAIN,F.BLACK (Ref # 92066) | 92066-3783-6Z | 2 |
| GROMMET (Ref # 92071) | 92071-3812 | 1 |
| WASHER-PLAIN-SMALL,6MM (Ref # 410) | 410S0600 | 10 |
| WASHER-PLAIN,5MM (Ref # 411) | 411S0500 | 1 |
| BAND,314X18 (Ref # 92072) | 92072-3814 | 1 |
| BAND,BATTERY (Ref # 92072A) | 92072-3841 | 1 |
| SEAL (Ref # 92093) | 92093-3720 | 2 |
| SEAL (Ref # 92093A) | 92093-3765 | 2 |
| COLLAR (Ref # 92143) | 92143-3749 | 8 |
| BOLT,SOCKET,6X18 (Ref # 92150) | 92150-3775 | 10 |
| BOLT,SOCKET,6X25 (Ref # 92150A) | 92150-3823 | 8 |
| BOLT,SOCKET,6X40 (Ref # 92150B) | 92150-3847 | 6 |
| BOLT,SOCKET,M6,SHOULDER (Ref # 92151) | 92151-3746 | 3 |
| COLLAR (Ref # 92152) | 92152-3731 | 6 |
| DAMPER (Ref # 92160) | 92160-3840 | 1 |
| DAMPER,40X25 (Ref # 92160A) | 92160-3865 | 2 |
| DAMPER (Ref # 92161) | 92161-3728 | 1 |
| WASHER,6.5X14.5X1.5 (Ref # 92200) | 92200-3775 | 8 |
| WASHER (Ref # 92200A) | 92200-3779 | 4 |
| HULL-COMP,G.BLACK (Ref # 59426) | 59426-3947-650 | 1 |