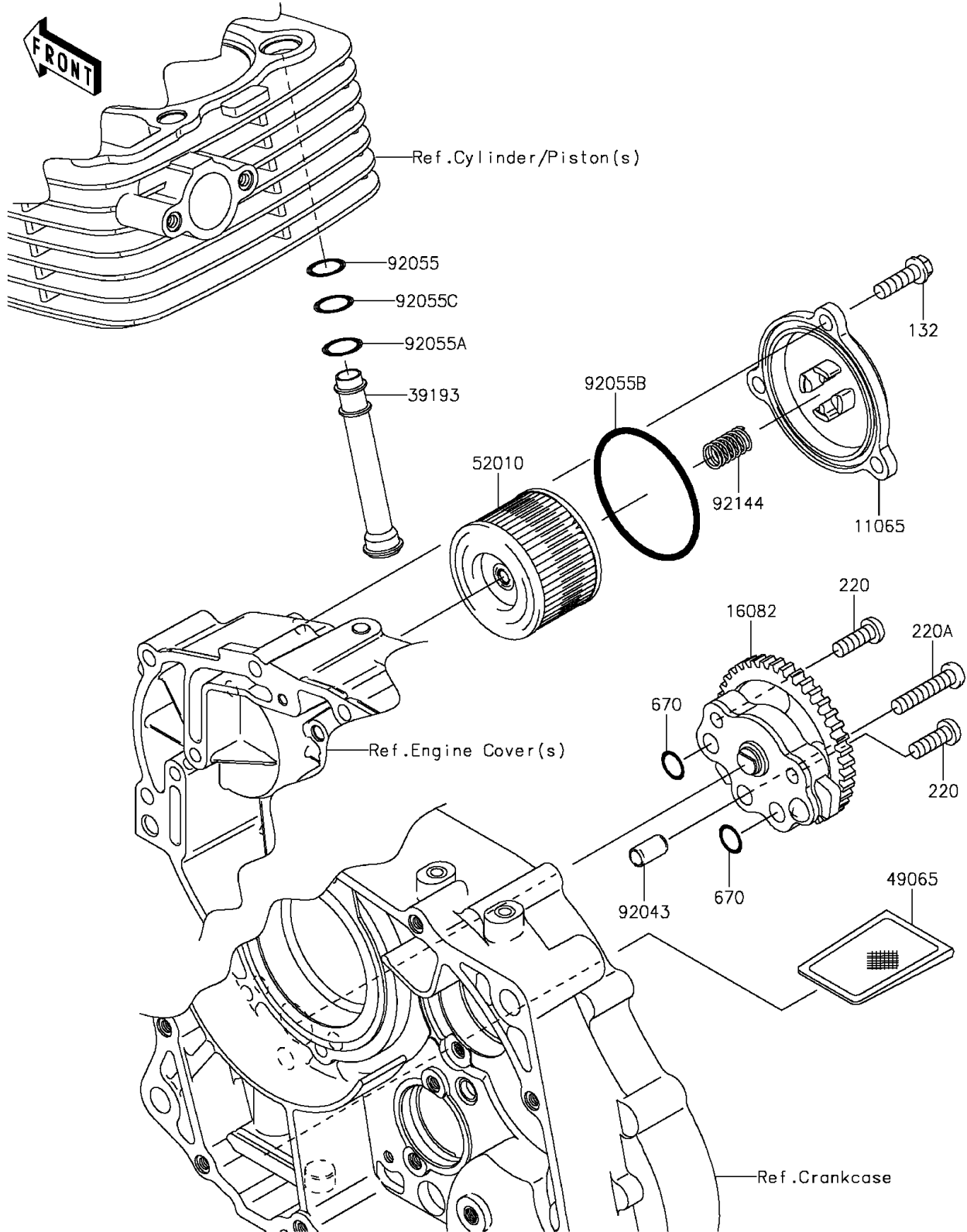


# 2013 KLX®140 PARTS DIAGRAM

## Oil Pump

E1710



## 2013 KLX®140 PARTS LIST

### Oil Pump

| ITEM NAME                           | PART NUMBER | QUANTITY |
|-------------------------------------|-------------|----------|
| BOLT-FLANGED-SMALL,6X20 (Ref # 132) | 132BA0620   | 3        |
| SCREW-PAN-CROS,6X18 (Ref # 220)     | 220AA0618   | 2        |
| SCREW-PAN-CROS,6X30 (Ref # 220A)    | 220AA0630   | 1        |
| O RING,9.8X1.9 (Ref # 670)          | 670B1510    | 2        |
| CAP (Ref # 11065)                   | 11065-0255  | 1        |
| PUMP-ASSY-OIL (Ref # 16082)         | 16082-1159  | 1        |
| PIPE-OIL (Ref # 39193)              | 39193-0062  | 1        |
| FILTER-OIL (Ref # 49065)            | 49065-0021  | 1        |
| ELEMENT-OIL FILTER (Ref # 52010)    | 52010-1053  | 1        |
| PIN,6.2X8X14 (Ref # 92043)          | 92043-1263  | 1        |
| RING-O,9.8X1.9 (Ref # 92055)        | 92055-0061  | 1        |
| RING-O,12.8X1.9 (Ref # 92055A)      | 92055-0152  | 1        |
| RING-O,59.6X2.4 (Ref # 92055B)      | 92055-0201  | 1        |
| RING-O,9.8X2.4 (Ref # 92055C)       | 92055-1150  | 1        |
| SPRING (Ref # 92144)                | 92144-1892  | 1        |