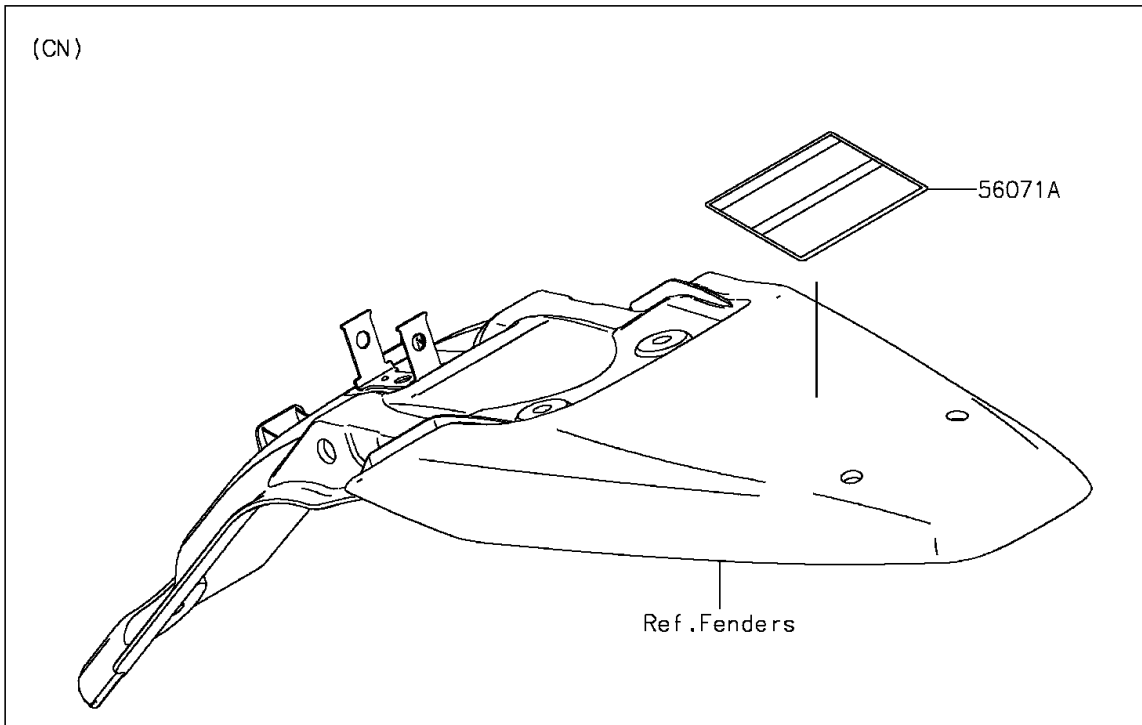
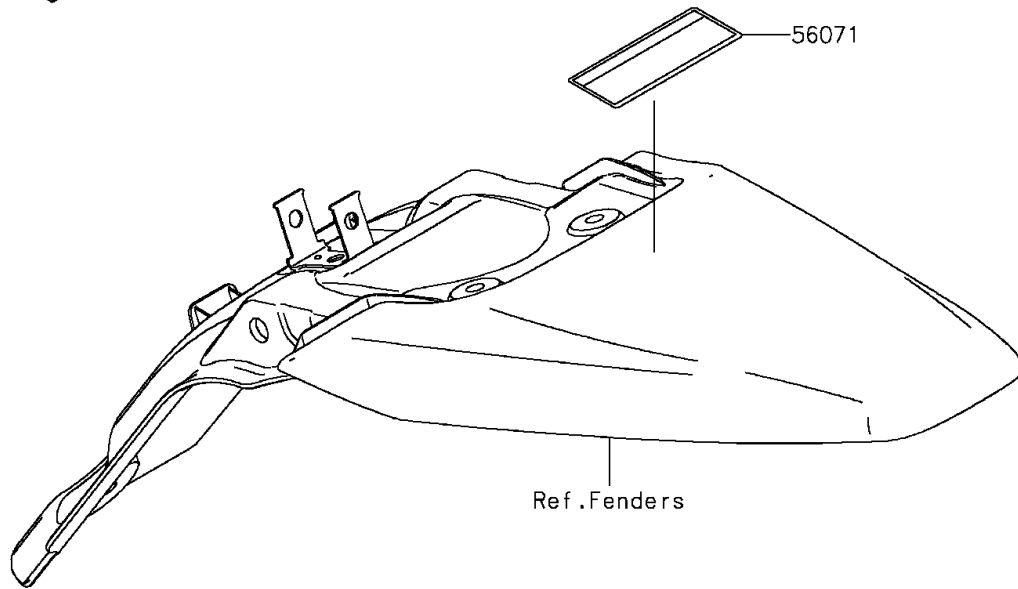


# 2015 KLX®140 PARTS DIAGRAM

Labels

F2860



## 2015 KLX®140 PARTS LIST

### Labels

ITEM NAME	PART NUMBER	QUANTITY
LABEL-WARNING,OFF LOAD ONLY (Ref # 56071)	56071-0019	1
LABEL-WARNING,OFF LOAD ONLY (Ref # 56071A)	56071-0020	1